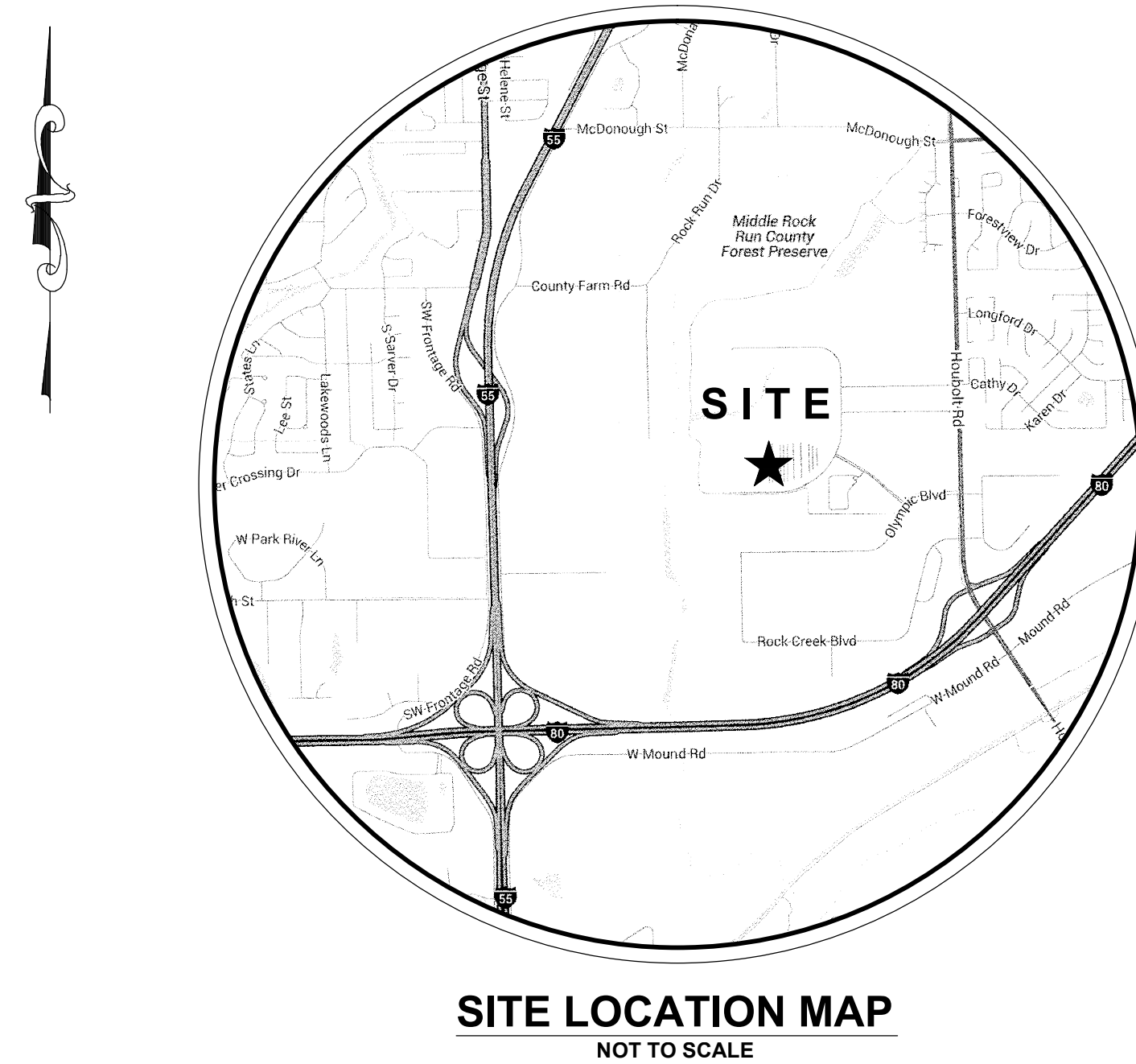


Improvement Plans for **JOLIET JUNIOR COLLEGE** Parking Lot S7 City of Joliet Will County, Illinois



INDEX OF ENGINEERING SHEETS

| SHEET No. | DESCRIPTION |
|-----------|-------------------------------------------------|
| C0.0 | COVER SHEET |
| C0.1 | SHEET LEGENDS AND NOTES |
| C1.1 | EXISTING CONDITIONS (1 OF 3) |
| C1.2 | EXISTING CONDITIONS (2 OF 3) |
| C1.3 | EXISTING CONDITIONS (3 OF 3) |
| C2.1 | DEMOLITION PLAN (1 OF 3) |
| C2.2 | DEMOLITION PLAN (2 OF 3) |
| C2.3 | DEMOLITION PLAN (3 OF 3) |
| C3.1 | PROPOSED SITE IMPROVEMENT PLAN (1 OF 3) |
| C3.2 | PROPOSED SITE IMPROVEMENT PLAN (2 OF 3) |
| C3.3 | PROPOSED SITE IMPROVEMENT PLAN (3 OF 3) |
| C4.1 | PROPOSED SITE GEOMETRY PLAN (1 OF 3) |
| C4.2 | PROPOSED SITE GEOMETRY PLAN (2 OF 3) |
| C4.3 | PROPOSED SITE GEOMETRY PLAN (3 OF 3) |
| C5.1 | EROSION CONTROL PLAN (1 OF 2) |
| C5.2 | EROSION CONTROL PLAN (2 OF 2) |
| C6.1 | GENERAL NOTES AND CONSTRUCTION DETAILS (1 OF 2) |
| C6.2 | CONSTRUCTION DETAILS (2 OF 2) |

SITE BENCHMARK 1:
HEAD BOLT ON FIRE HYDRANT THAT ARROW POINTS TO, LOCATED APPROXIMATELY 740' SOUTH OF MAIN CAMPUS EXT ROAD ONTO HOUBOLT ROAD.
ELEVATION = 607.75 (NAVD 88)

SITE BENCHMARK 2:
CUT GROSS TOP OF CONCRETE PAD BY ELECTRIC PANELS LOCATED TO THE EAST OF THE BASEBALL FIELD PRESS BOX.
ELEVATION = 564.18 (NAVD 88)

FIELD VERIFY BENCHMARKS.

Call Before You Dig
JULIE
ILLINOIS
ONE-CALL SYSTEM

CONTACT J.U.L.I.E. at 811 or 800-892-0123
48 Hours (2 Working Days) BEFORE YOU DIG.
Include the following:
County, City/Township, Section & 1/4 Section No.

LAND SURVEYOR / ENGINEER:
RUETTIGER, TONELLI & ASSOCIATES, INC.
129 CAPISTA DRIVE
SHOREWOOD, ILLINOIS 60404
Ph. (815) 744-6600

OWNER / DEVELOPER:
JOLIET JUNIOR COLLEGE
1215 HOUBOLT ROAD
JOLIET, ILLINOIS 60431
Attn: RICK LYMAN
Ph. (815) 280-2212

I, JOSEPH P. HAMMER, A REGISTERED PROFESSIONAL ENGINEER IN THE STATE OF ILLINOIS, HEREBY CERTIFY THAT THESE IMPROVEMENT PLANS HAVE BEEN PREPARED UNDER MY SUPERVISION BY RUETTIGER, TONELLI & ASSOCIATES, INC., ILLINOIS PROFESSIONAL DESIGN FIRM No. 184-001251.
DATED THIS _____ DAY OF _____, _____.

JOSEPH P. HAMMER IL P.E. No. 062-053186 (EXPIRES 11-30-2017)
TO ENSURE AUTHENTICITY OF THIS DRAWING, IT MUST BEAR THE EMBOSSED SEAL OF THE DESIGN FIRM OR PROFESSIONAL LICENSEE WHO PREPARED THIS DRAWING.

REVISIONS

| No. | DATE | DESCRIPTION | BY |
|-----|-----------|---------------------|------|
| 0 | 1-19-2016 | RELEASED FOR REVIEW | R.P. |
| 1 | 2-3-2016 | ISSUED FOR BID | R.P. |

DOCUMENTATION:
PROJECT No.: 20150856.00
DATE: 11-20-2015
FIELD BOOK: JJC
DRAWN BY: R.P.
CHECKED BY: J.H.



Ruettiger, Tonelli & Associates, Inc.

Surveyors • Engineers • Planners • Landscape Architects • G.I.S. Consultants
129 CAPISTA DRIVE - SHOREWOOD, ILLINOIS 60404
PH. (815) 744-6600 FAX (815) 744-0101
website: www.ruettigertonnelli.com

PROJECT TITLE:
**PARKING LOT S7
IMPROVEMENT PLANS**
JOLIET JUNIOR COLLEGE
1215 HOUBOLT DRIVE
JOLIET, ILLINOIS 60431

DRAWING TITLE:
**ISSUED FOR BID
COVER SHEET**

DRAWING No.
315-0856-C1
SCALE:
AS NOTED
SHEET C0.0

N:\Drawings\2015\0856\Engineering\Plan_Sheet\1 - Parking Lot S7\SM_C0.0 - Cover Sheet.dwg, Layout: 2/3/2016 10:07:57 AM, Joseph

EXISTING CONDITIONS - (SHEETS C1.1-C1.3)

| LEGEND | |
|-------------|-------------------------------------|
| XXX.XX | EXISTING ELEVATION |
| -XXX- | EXISTING CONTOUR |
| T/F | TOP OF FOUNDATION |
| F.F. | FINISHED FLOOR |
| CMP | CORRUGATED METAL PIPE |
| FES | FLARED END SECTION |
| T/WALL | TOP OF WALL |
| FL | FLOW LINE |
| RCP | REINFORCED CONCRETE PIPE |
| CPP | CORRUGATED PLASTIC PIPE |
| PVC | POLYVINYL CHLORIDE PIPE |
| ○ | UTILITY POLE |
| ○ | GUY ANCHOR |
| — UGE — UGE | UNDERGROUND ELECTRIC LINES |
| — OHE — OHE | OVERHEAD ELECTRIC LINES |
| ⊗ | STREET LIGHT |
| ⊗ | VALVE & VAULT |
| ⊗ | FIRE HYDRANT |
| ⊗ | STORM SEWER INLET |
| ⊗ | STORM SEWER MANHOLE |
| → | STORM SEWER LINES |
| → | "SUSPECTED" STORM SEWER LINES |
| ⊗ | CABLE TV HANDHOLE |
| ⊗ | CABLE TV PEDESTAL |
| — CATV — | UNDERGROUND CABLE TV LINES |
| ⊗ | TELEPHONE PEDESTAL |
| ⊗ | TELEPHONE CONTROL MANHOLE |
| — UGT — UGT | UNDERGROUND TELEPHONE LINES |
| ⊗ | SIGN |
| ⊗ | UNDERGROUND GAS LINES |
| ⊗ | SIGNAL CONTROL BOX |
| ⊗ | SIGNAL PEDESTAL |
| ⊗ | EVERGREEN TREE W/ DIAMETER |
| ⊗ | EXISTING TREE W/ DIAMETER |
| ⊗ | BUSH W/ DIAMETER |
| ⊗ | TRAFFIC SIGNAL |
| ⊗ | TRAFFIC SIGNAL HANDHOLE |
| ⊗ | GAS METER |
| ⊗ | SANITARY SEWER MANHOLE |
| — SAN — | "SUSPECTED" SANITARY SEWER LINES |
| — | GUARDRAIL |
| ⊗ | ELECTRIC BOX |
| ⊗ | ELECTRIC HANDHOLE |
| ⊗ | ELECTRIC OUTLET |
| ⊗ | ELECTRIC TRANSFORMER |
| ⊗ | GAS VALVE BOX |
| ⊗ | LANDSCAPE LIGHT |
| ⊗ | BUFFALO BOX |
| ⊗ | HAND WATER PUMP |
| ⊗ | ELECTRIC METER |
| — | "SUSPECTED" UNDERGROUND WATER LINES |
| ⊗ | ROPE POST |
| ⊗ | IRRIGATION CONTROL VALVE |
| ⊗ | CLEAN OUT |
| ⊗ | TELEPHONE HANDHOLE |
| ⊗ | LIGHT HANDHOLE |
| ⊗ | EXISTING SOIL BORING LOCATION |

EXISTING CONDITIONS NOTES:

1.) EXISTING CONDITIONS SHOWN HEREON ARE FROM SURVEYS BY R.T. & A. (2008-2015) DURING VARIOUS PHASES OF CAMPUS CONSTRUCTION AND FROM PREVIOUSLY PROPOSED IMPROVEMENT PLANS BY R.T. & A. (2008-2015). FIELD VERIFY EXACT LOCATIONS PRIOR TO ANY CONSTRUCTION. EXISTING UNDERGROUND UTILITIES WERE LOCATED BY USING PHYSICAL EVIDENCE, UTILITY COMPANY MAPS AND JIC LOCATIONS/MAPS AND THEREFORE THEIR LOCATIONS ARE APPROXIMATE AND SUSPECTED AND MAY NOT BE COMPLETELY ACCURATE. FOR MORE ACCURATE LOCATION, FIELD EXCAVATE.

DEMOLITION PLAN - (SHEETS C2.1-C2.3)

| LEGEND | |
|-------------|----------------------------------------------------|
| XXX.XX | EXISTING ELEVATION |
| T/F | TOP OF FOUNDATION |
| F.F. | FINISHED FLOOR |
| CMP | CORRUGATED METAL PIPE |
| FES | FLARED END SECTION |
| T/WALL | TOP OF WALL |
| FL | FLOW LINE |
| RCP | REINFORCED CONCRETE PIPE |
| CPP | CORRUGATED PLASTIC PIPE |
| PVC | POLYVINYL CHLORIDE PIPE |
| ○ | UTILITY POLE |
| ○ | GUY ANCHOR |
| — UGE — UGE | UNDERGROUND ELECTRIC LINES |
| — OHE — OHE | OVERHEAD ELECTRIC LINES |
| ⊗ | STREET LIGHT |
| ⊗ | VALVE & VAULT |
| ⊗ | FIRE HYDRANT |
| ⊗ | STORM SEWER INLET |
| ⊗ | STORM SEWER MANHOLE |
| → | STORM SEWER LINES |
| → | "SUSPECTED" STORM SEWER LINES |
| ⊗ | CABLE TV HANDHOLE |
| ⊗ | CABLE TV PEDESTAL |
| — CATV — | UNDERGROUND CABLE TV LINES |
| ⊗ | TELEPHONE PEDESTAL |
| ⊗ | TELEPHONE CONTROL MANHOLE |
| — UGT — UGT | UNDERGROUND TELEPHONE LINES |
| ⊗ | SIGN |
| ⊗ | UNDERGROUND GAS LINES |
| ⊗ | SIGNAL CONTROL BOX |
| ⊗ | SIGNAL PEDESTAL |
| ⊗ | EXISTING SOIL BORING LOCATION |
| ⊗ | EVERGREEN TREE W/ DIAMETER |
| ⊗ | EXISTING TREE W/ DIAMETER |
| ⊗ | BUSH W/ DIAMETER |
| ⊗ | TRAFFIC SIGNAL |
| ⊗ | TRAFFIC SIGNAL HANDHOLE |
| ⊗ | GAS METER |
| ⊗ | SANITARY SEWER MANHOLE |
| — SAN — | "SUSPECTED" SANITARY SEWER LINES |
| — | GUARDRAIL |
| ⊗ | ELECTRIC BOX |
| ⊗ | ELECTRIC HANDHOLE |
| ⊗ | ELECTRIC OUTLET |
| ⊗ | ELECTRIC TRANSFORMER |
| ⊗ | GAS VALVE BOX |
| ⊗ | LANDSCAPE LIGHT |
| ⊗ | BUFFALO BOX |
| ⊗ | HAND WATER PUMP |
| ⊗ | ELECTRIC METER |
| — | "SUSPECTED" UNDERGROUND WATER LINES |
| ⊗ | ROPE POST |
| ⊗ | IRRIGATION CONTROL VALVE |
| ⊗ | CLEAN OUT |
| ⊗ | TELEPHONE HANDHOLE |
| ⊗ | LIGHT HANDHOLE |
| ⊗ | TREE REMOVAL |
| ⊗ | EXISTING ITEM TO BE REMOVED AS NOTED |
| ⊗ | EXISTING BITUMINOUS PAVEMENT TO BE GRENDED 2" DEEP |
| ⊗ | EXISTING CURB TO BE REMOVED AS NOTED |
| ⊗ | EXISTING ITEM TO BE REMOVED AS NOTED |

DEMOLITION PLAN NOTES

1.) CONTRACTOR TO VERIFY ALL QUANTITIES NOTED ON PLANS AND INCLUDE AS PART OF BID.
 2.) SAWCUT ALL PAVEMENT, CURB AND SIDEWALK JOINTS.
 3.) FIELD VERIFY LOCATION OF EXISTING UTILITIES. PROVIDE ADEQUATE PROTECTION OF UTILITIES TO REMAIN IN USE AND COORDINATE WORK IN THESE AREAS WITH THE CONSTRUCTION MANAGER AND JOLIET JUNIOR COLLEGE PERSONNEL. ALL WORK SHALL BE DONE IN ACCORDANCE WITH ALL APPLICABLE LOCAL REGULATIONS.

PROPOSED SITE IMPROVEMENT PLAN - (SHEETS C3.1-C3.3)

| PROPOSED | DESCRIPTION | EXISTING |
|----------|---------------------------------|----------|
| --- | CONTOUR | --- |
| XXX.XX | ELEVATION | XXX.XX |
| XXX.XX | T/O OR SEWALK ELEVATION | XXX.XX |
| XXX.XX | FLOW LINE OR PAVEMENT ELEVATION | XXX.XX |
| --- | P.C.C. CURB | --- |
| --- | P.C.C. CURB REVERSED PITCH | --- |
| --- | STORM SEWER | --- |
| ⊗ | MANHOLE | ⊗ |
| ⊗ | INLET | ⊗ |
| ⊗ | CATCH-BASIN | ⊗ |
| --- | FLARED END SECTION | --- |
| ⊗ | PARKING LOT LIGHT | ⊗ |
| ⊗ | EMERGENCY CALL BOX | ⊗ |
| ⊗ | ELECTRIC HANDHOLE | ⊗ |
| ⊗ | SIGN | ⊗ |
| ⊗ | PROPOSED RIPRAP | ⊗ |

PROPOSED SITE IMPROVEMENT PLAN NOTES:

1.) UNLESS OTHERWISE NOTED, ALL PROPOSED GRADES ARE EITHER FINISHED PAVEMENT ELEVATIONS OR FINISHED LANDSCAPE ELEVATIONS.
 2.) CONTRACTOR TO PREVENT EROSION ONTO EXISTING PAVEMENT.
 3.) GRADE SLOPE SHALL NOT EXCEED 4 TO 1.
 4.) CONTRACTOR SHALL REFER TO THE LANDSCAPE PLANS FOR ADDITIONAL SITE AMENITIES.

PROPOSED SITE GEOMETRY PLAN - (SHEETS C4.1-C4.3)

| LEGEND | |
|-----------|-----------------------------------|
| --- | EXISTING CURB |
| --- | PROPOSED CURB |
| --- | PROPOSED CURB REVERSED PITCH |
| --- | EXISTING PAVEMENT AREA |
| --- | PROPOSED PAVEMENT AREA AS NOTED |
| ***** | PROPOSED A.D.A. ROUTE |
| ~ XXX'X | ARC DISTANCE |
| XXX'X B/C | BACK OF CURB DISTANCE |
| XXX'X F-F | FACE TO FACE OF CURB DISTANCE |
| XXX'X F/W | FACE OF WALK DISTANCE |
| XXX'X B-B | BACK TO BACK OF CURB DISTANCE |
| XXX'X E-E | EDGE TO EDGE OF PAVEMENT DISTANCE |
| XXX'X E/P | TO EDGE OF PAVEMENT DISTANCE |
| ⊗ | PROPOSED SIGN |
| ⊗ | PROPOSED LIGHT BASE |

GEOMETRIC PLAN NOTES

1.) ALL PARKING STALL, SAFETY ISLAND, NO PARKING AREAS AND CROSSWALK STRIPING SHALL BE 4 INCH WIDE STANDARD I.D.O.T. YELLOW. DIAGONAL STRIPING SHALL BE 2 FT. ON CENTER.
 2.) ALL SIGNS SHALL MEET THE REQUIREMENTS AND STANDARDS OF THE U.S. DEPT. OF TRANSPORTATION MANUAL ON UNIFORM TRAFFIC CONTROL DEVICES, LATEST EDITION; THE ILLINOIS ADMINISTRATIVE CODE, LATEST ADDITION; AND ALL LOCAL ORDINANCES.
 3.) UNLESS OTHERWISE SPECIFIED, ALL DIMENSIONS ARE SHOWN TO THE BACK OF THE CURBLINE OR FACE OF THICKENED WALK WHERE APPLICABLE.
 4.) ALL RADII ARE TO BACK OF CURB.
 5.) UNLESS OTHERWISE SPECIFIED, ALL PROPOSED CURBS SHALL BE M-4.12 CONCRETE CURB AND GUTTER.
 6.) PROPOSED P.C.C. SIDEWALK SCORING PATTERN TO MATCH EXISTING P.C.C. SIDEWALK SCORING PATTERN.

EROSION CONTROL PLAN - (SHEET C5.1)

SEE SHEET C5.1 & C5.2 FOR EROSION CONTROL LEGEND AND NOTES.

REVISIONS

| No. | DATE | DESCRIPTION | BY |
|-----|-----------|---------------------|------|
| 0 | 1-19-2016 | RELEASED FOR REVIEW | R.P. |
| 1 | 2-3-2016 | ISSUED FOR BID | R.P. |

DOCUMENTATION:
 PROJECT No.: 20150856.00
 DATE: 11-20-2015
 FIELD BOOK: JJC
 DRAWN BY: R.P.
 CHECKED BY: J.H.



Ruettiger, Tonelli & Associates, Inc.

Surveyors • Engineers • Planners • Landscape Architects • G.I.S. Consultants
 129 CAPISTA DRIVE - SHOREWOOD, ILLINOIS 60404
 PH. (815) 744-6600 FAX (815) 744-0101
 website: www.ruettigertonnelli.com

PROJECT TITLE:

**PARKING LOT S7
 IMPROVEMENT PLANS**
 JOLIET JUNIOR COLLEGE
 1215 HOUBOLT DRIVE
 JOLIET, ILLINOIS 60431

DRAWING TITLE:

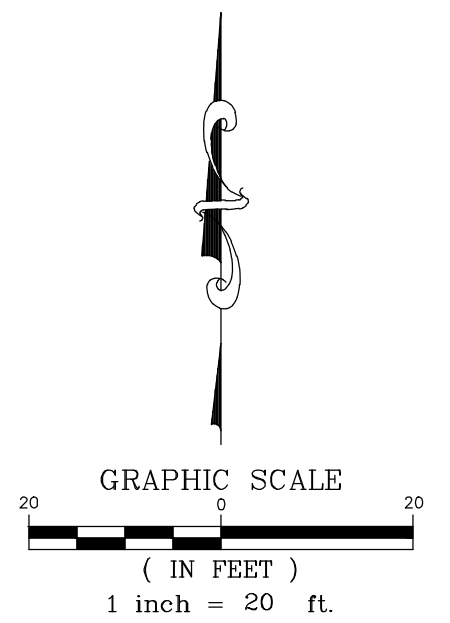
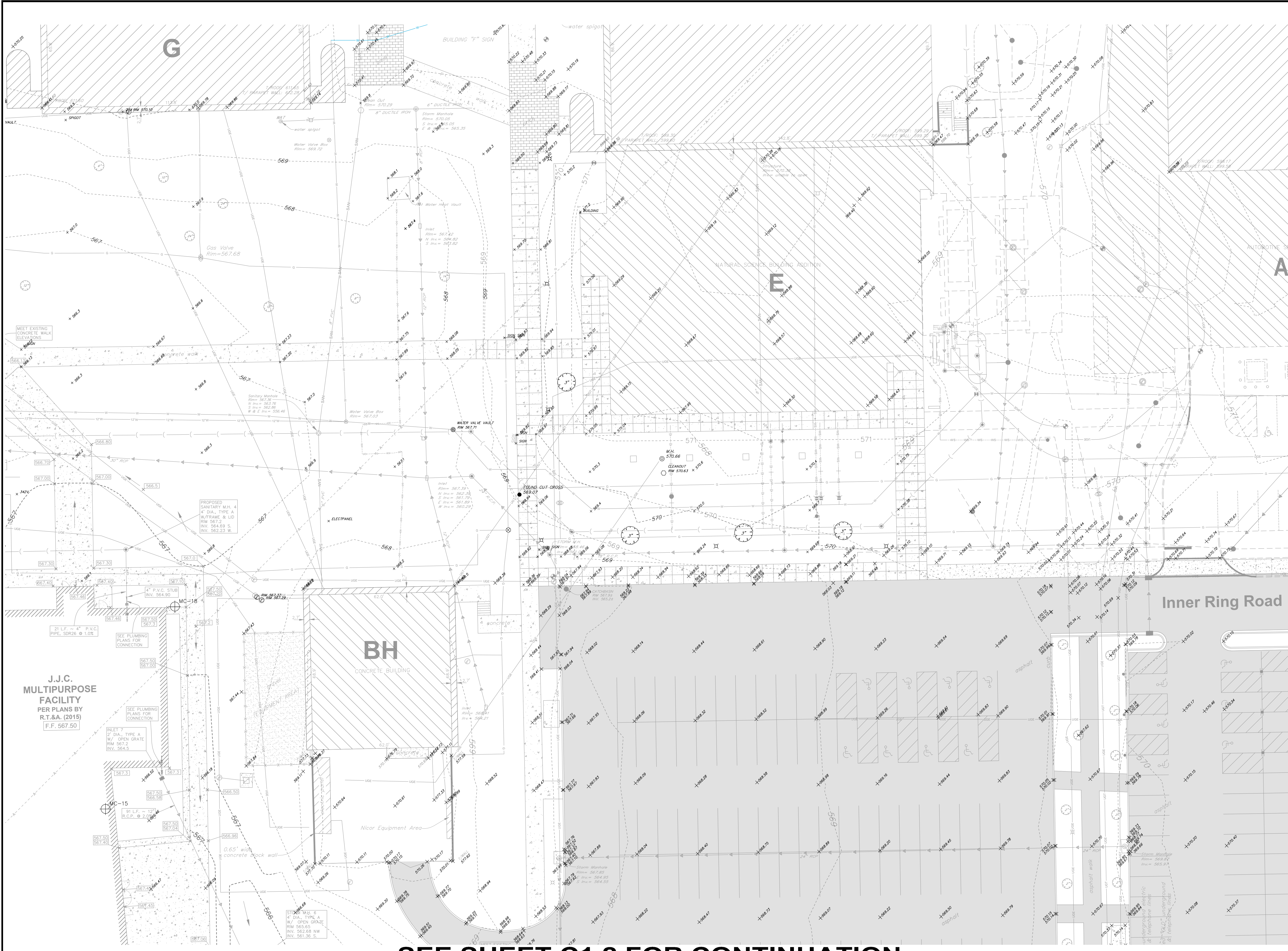
ISSUED FOR BID

SHEET LEGENDS AND NOTES

DRAWING No.
315-0856-C1

SCALE:
AS NOTED

SHEET C0.1

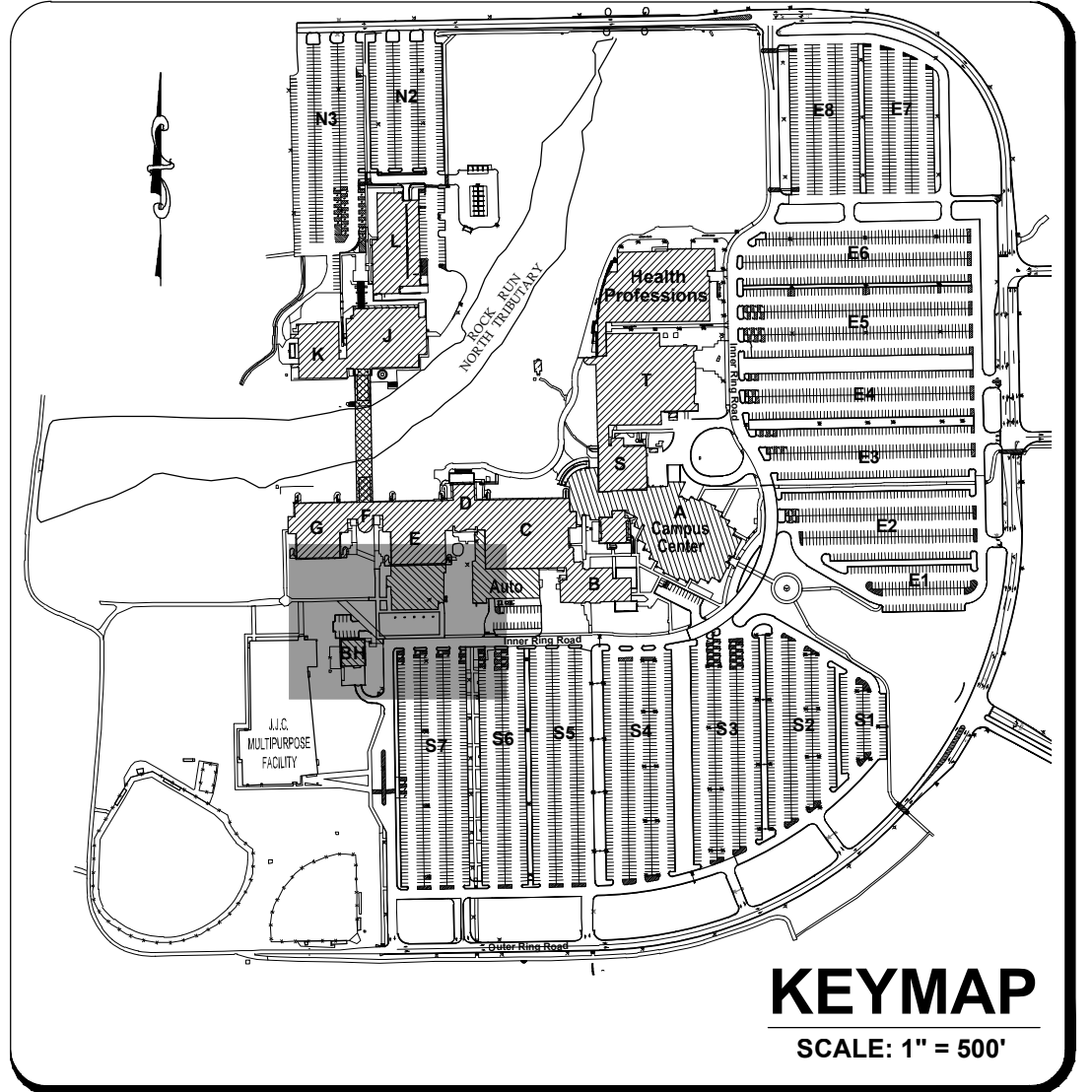


SEE SHEET C0.1 FOR LEGEND AND NOTES.

SITE BENCHMARK 1:
HEAD BOLT ON FIRE HYDRANT THAT ARROW POINTS TO, LOCATED APPROXIMATELY 740' SOUTH OF MAIN CAMPUS EXT ROAD ONTO HOUBOLT ROAD.
ELEVATION: 607.75 (NAVD 88)

SITE BENCHMARK 2:
CUT CROSS TOP OF CONCRETE PAD BY ELECTRIC PANELS LOCATED TO THE EAST OF THE BASEBALL FIELD PRESS BOX.
ELEVATION = 564.18 (NAVD 88)

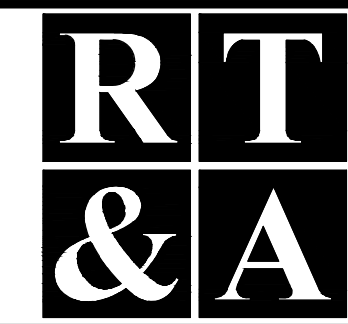
FIELD VERIFY BENCHMARKS



SEE SHEET C1.2 FOR CONTINUATION

| REVISIONS | | | |
|-----------|-----------|---------------------|------|
| No. | DATE | DESCRIPTION | BY |
| 0 | 1-19-2016 | RELEASED FOR REVIEW | R.P. |
| 1 | 2-3-2016 | ISSUED FOR BID | R.P. |

DOCUMENTATION:
PROJECT No.: 20150856.00
DATE: 11-20-2015
FIELD BOOK: JJC
DRAWN BY: R.P.
CHECKED BY: J.H.



Ruettiger, Tonelli & Associates, Inc.
Surveyors • Engineers • Planners • Landscape Architects • G.I.S. Consultants
129 CAPISTA DRIVE - SHOREWOOD, ILLINOIS 60404
PH. (815) 744-6600 FAX (815) 744-0101
website: www.ruettigertonnelli.com

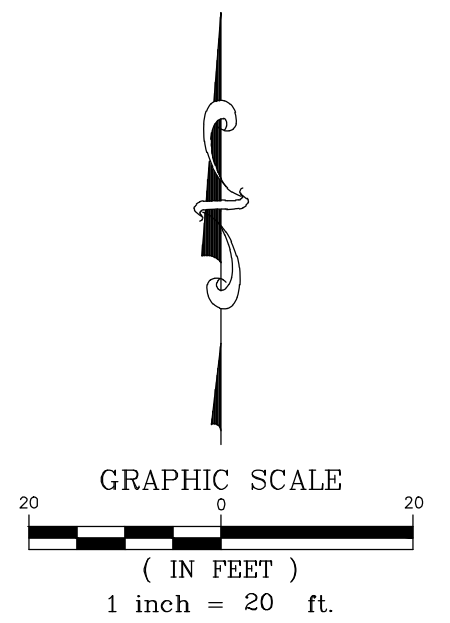
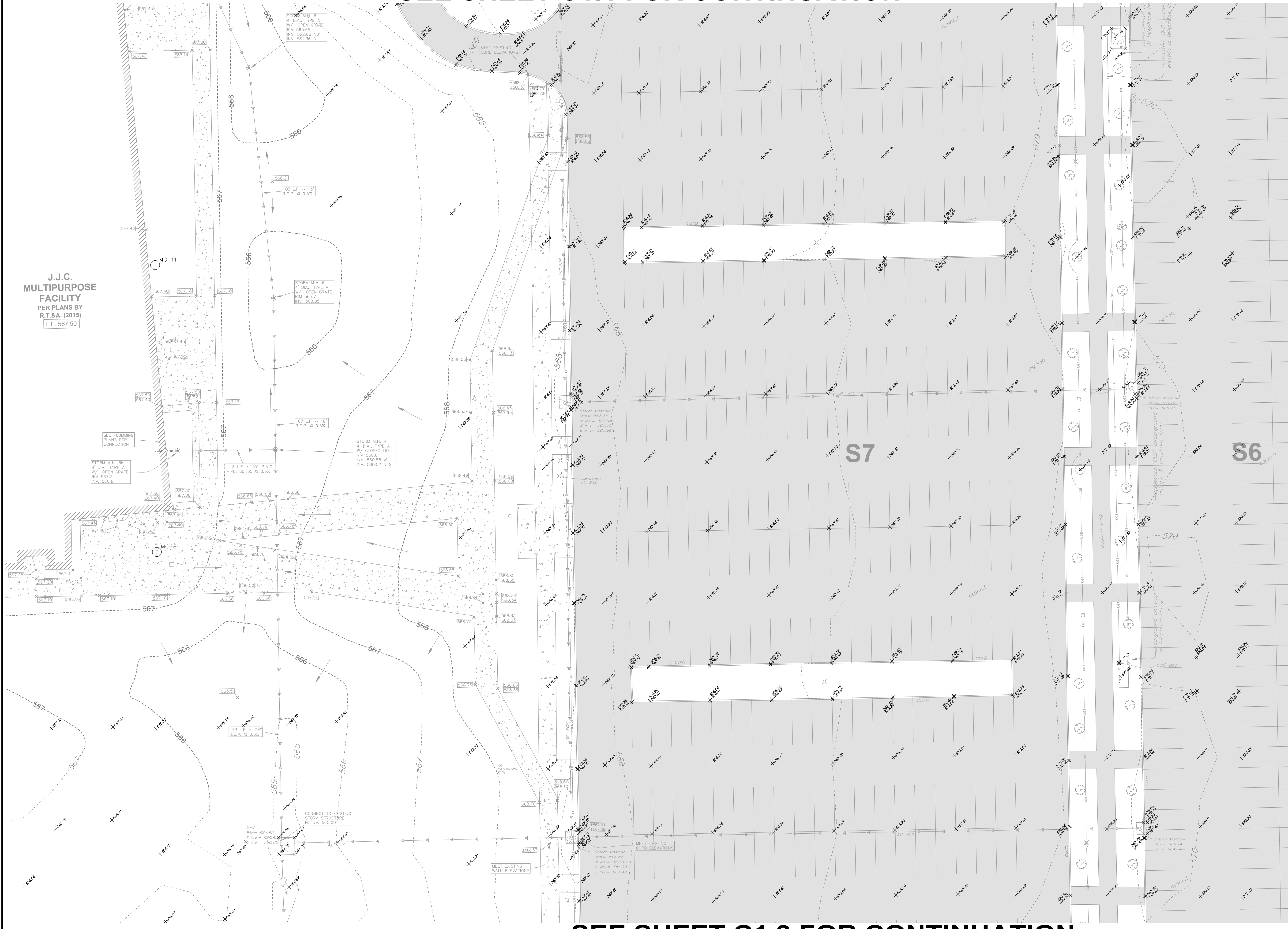
PROJECT TITLE: **PARKING LOT S7 IMPROVEMENT PLANS**
JOLIET JUNIOR COLLEGE
1215 HOUBOLT DRIVE
JOLIET, ILLINOIS 60431

DRAWING TITLE: **ISSUED FOR BID EXISTING CONDITIONS (1 OF 3)**

DRAWING No.: 315-0856-C1
SCALE: AS NOTED
SHEET C1.1

N:\2015\0856\Engineering\Plan_Sheet\1 - Parking Lot S7\SH_C1.1 - Existing Conditions 01.dwg, Layout: 2/3/2016 10:06:54 AM, jreves

SEE SHEET C1.1 FOR CONTINUATION

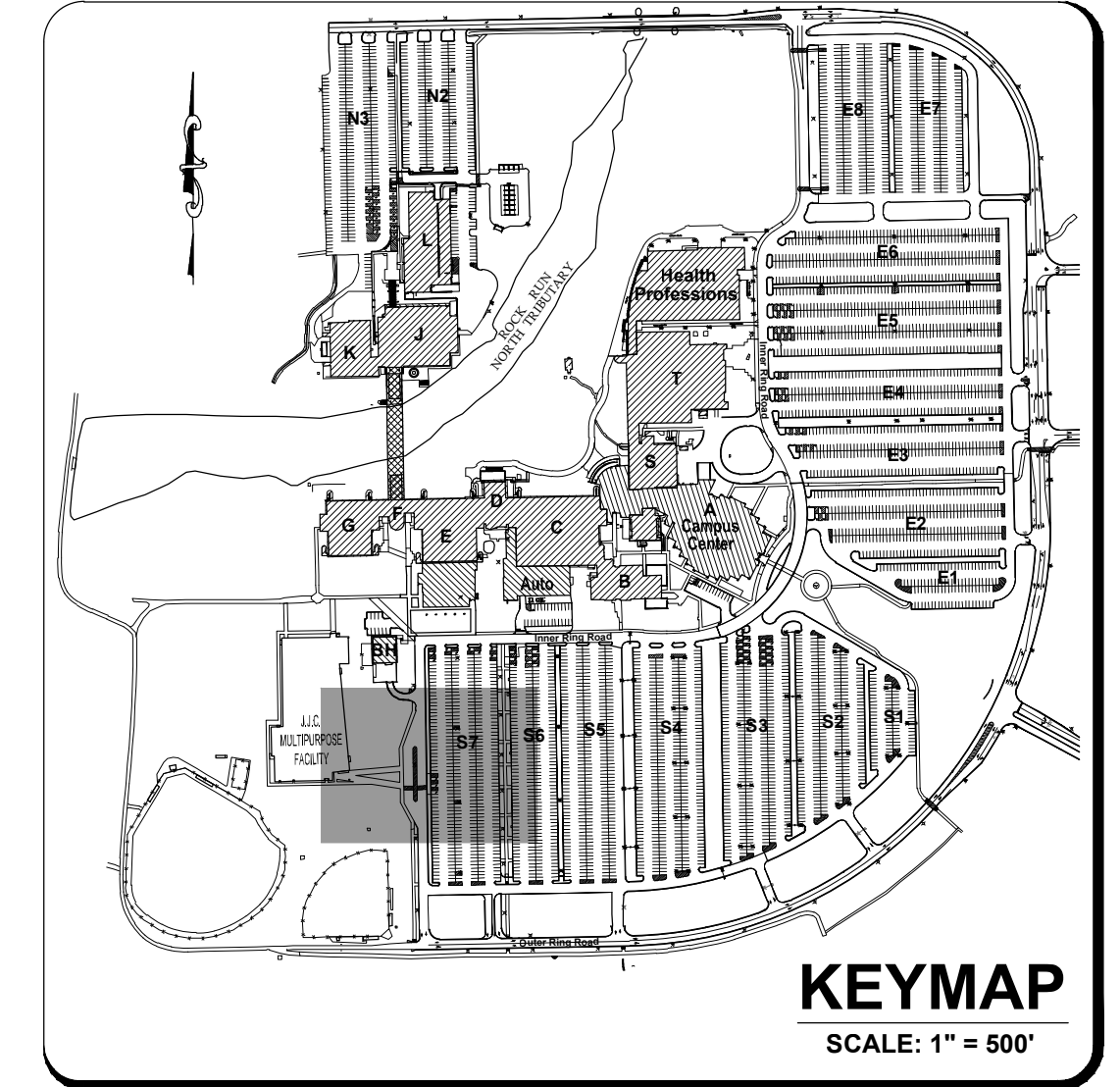


SEE SHEET C0.1 FOR LEGEND AND NOTES.

SITE BENCHMARK 1:
HEAD BOLT ON FIRE HYDRANT THAT ARROW POINTS TO LOCATED APPROXIMATELY 740' SOUTH OF MAIN CAMPUS EXT ROAD ONTO HOUBOLT ROAD.
ELEVATION = 607.75 (NAVD 88)

SITE BENCHMARK 2:
CUT CROSS TOP OF CONCRETE PAD BY ELECTRIC PANELS LOCATED TO THE EAST OF THE BASEBALL FIELD PRESS BOX.
ELEVATION = 564.18 (NAVD 88)

FIELD VERIFY BENCHMARKS



SEE SHEET C1.3 FOR CONTINUATION

| REVISIONS | | | |
|-----------|-----------|---------------------|------|
| No. | DATE | DESCRIPTION | BY |
| 0 | 1-19-2016 | RELEASED FOR REVIEW | R.P. |
| 1 | 2-3-2016 | ISSUED FOR BID | R.P. |

DOCUMENTATION:
PROJECT No.: 20150856.00
DATE: 11-20-2015
FIELD BOOK: JUC
DRAWN BY: R.P.
CHECKED BY: J.H.



Ruettiger, Tonelli & Associates, Inc.
Surveyors • Engineers • Planners • Landscape Architects • G.I.S. Consultants
129 CAPISTA DRIVE - SHOREWOOD, ILLINOIS 60404
PH. (815) 744-6600 FAX (815) 744-0101
website: www.ruettigertonnelli.com

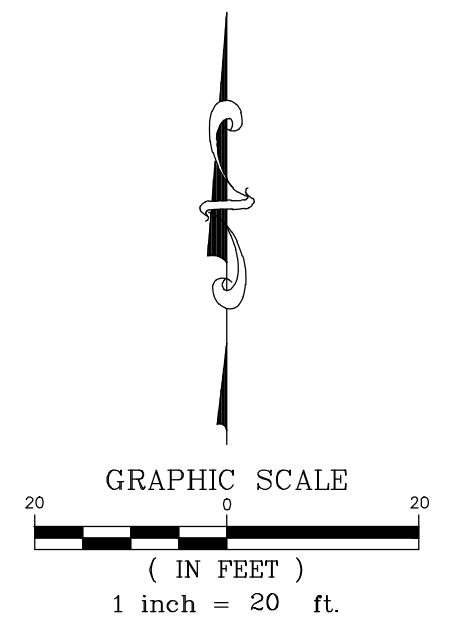
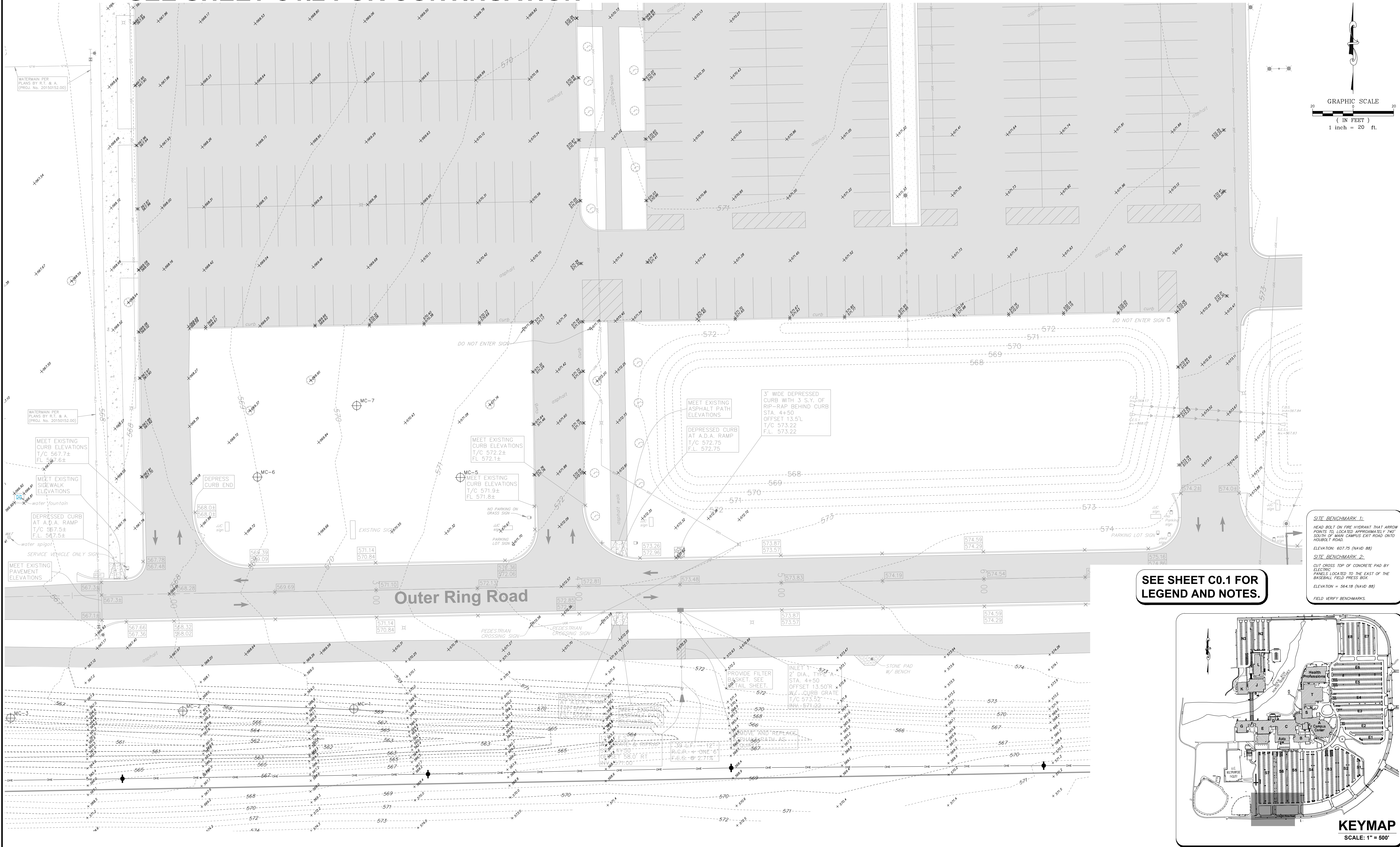
PROJECT TITLE: **PARKING LOT S7 IMPROVEMENT PLANS**
JOLIET JUNIOR COLLEGE
1215 HOUBOLT DRIVE
JOLIET, ILLINOIS 60431

DRAWING TITLE: **ISSUED FOR BID EXISTING CONDITIONS (2 OF 3)**

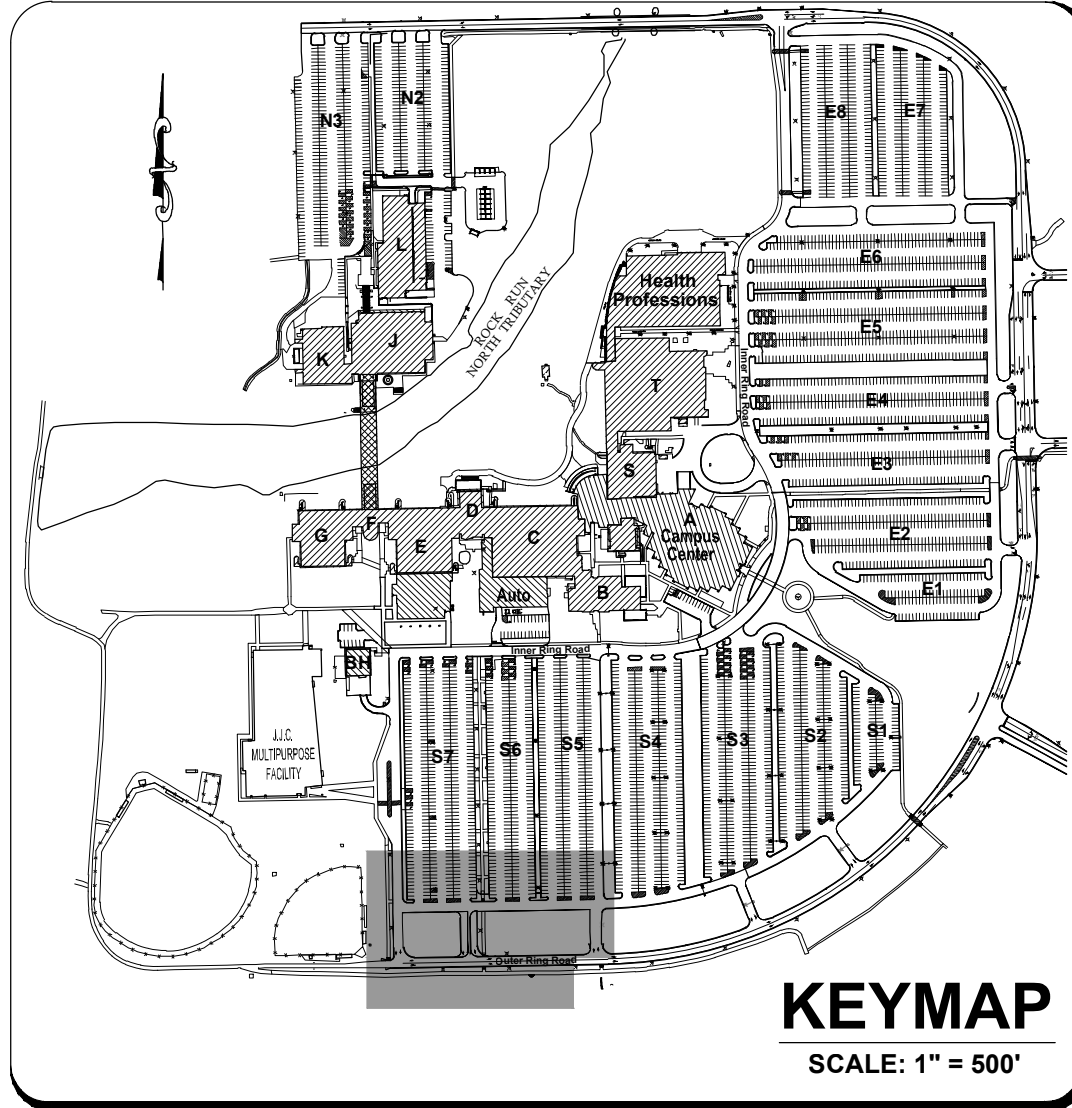
DRAWING No.: 315-0856-C1
SCALE: AS NOTED
SHEET C1.2

N:\2015\0856\Engineering\Plan_Sheet\1 - Parking Lot S7\SH_C1.2 - Existing Conditions (2 of 3).dwg, Layout: 2/3/2016 10:59:44 AM, JHewes

SEE SHEET C1.2 FOR CONTINUATION



SEE SHEET C0.1 FOR LEGEND AND NOTES.



| REVISIONS | | | |
|-----------|-----------|---------------------|------|
| No. | DATE | DESCRIPTION | BY |
| 0 | 1-19-2016 | RELEASED FOR REVIEW | R.P. |
| 1 | 2-3-2016 | ISSUED FOR BID | R.P. |

DOCUMENTATION:
 PROJECT No.: 20150856.00
 DATE: 11-20-2015
 FIELD BOOK: JJC
 DRAWN BY: R.P.
 CHECKED BY: J.H.

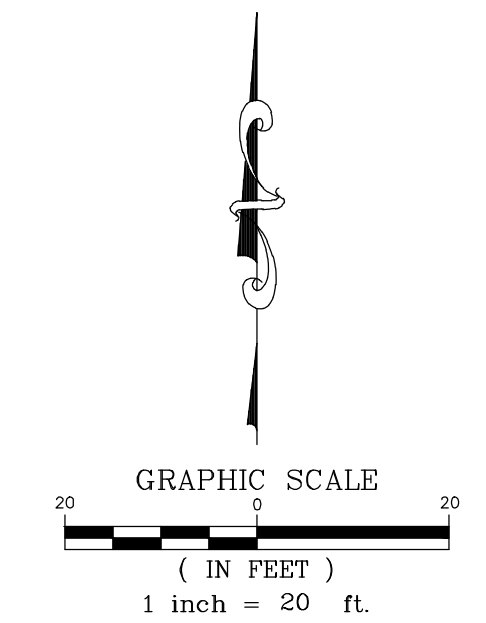
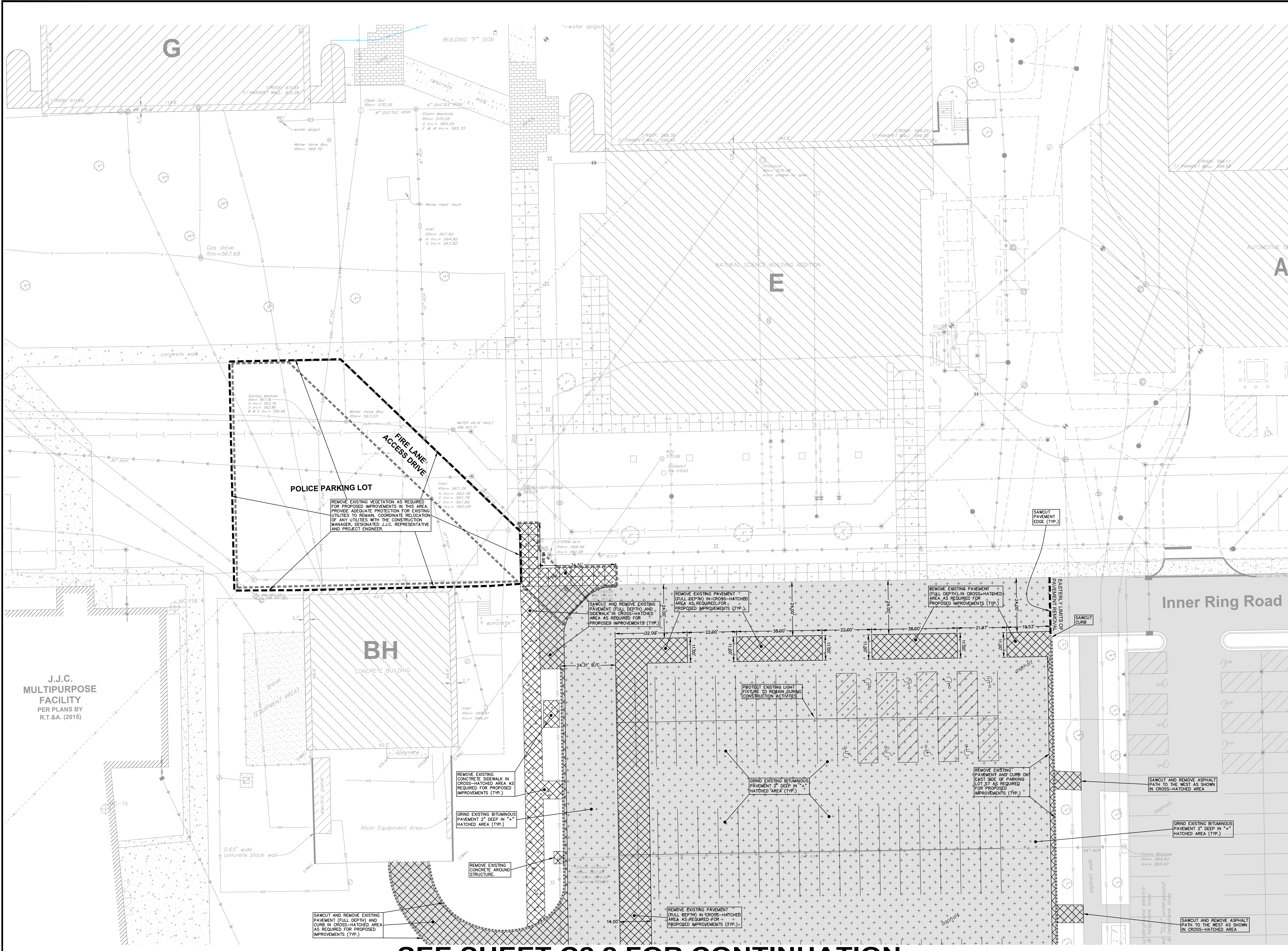


Ruettiger, Tonelli & Associates, Inc.
 Surveyors • Engineers • Planners • Landscape Architects • G.I.S. Consultants
 129 CAPISTA DRIVE - SHOREWOOD, ILLINOIS 60404
 PH. (815) 744-6600 FAX (815) 744-0101
 website: www.ruettigertonnelli.com

PROJECT TITLE:
PARKING LOT S7 IMPROVEMENT PLANS
 JOLIET JUNIOR COLLEGE
 1215 HOUBOLT DRIVE
 JOLIET, ILLINOIS 60431

DRAWING TITLE:
ISSUED FOR BID
EXISTING CONDITIONS
(3 OF 3)

DRAWING No.
 315-0856-C1
 SCALE:
 AS NOTED
SHEET C1.3



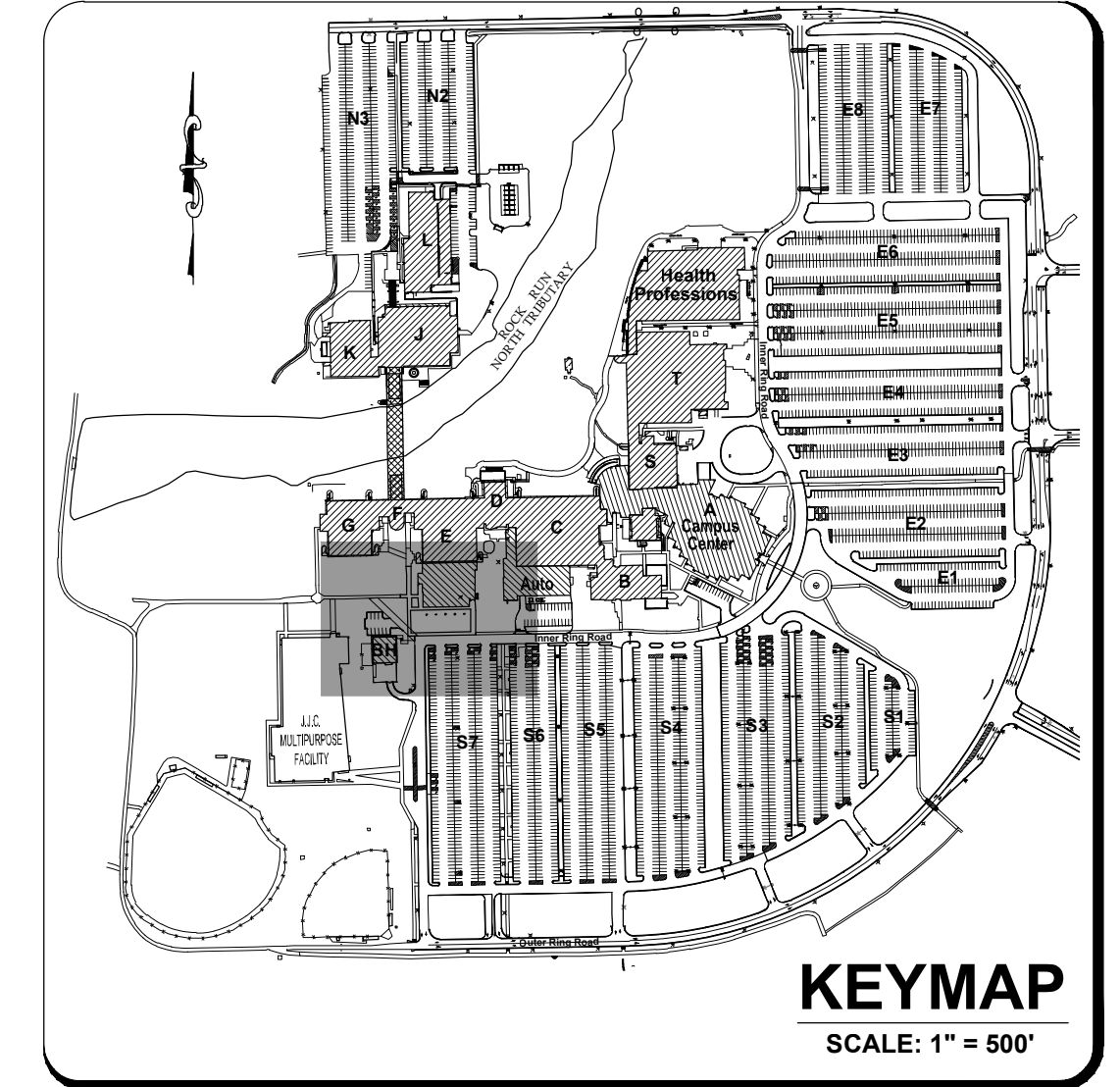
SEE SHEET C0.1 FOR LEGEND AND NOTES.

Call Before You Dig
JULIE
 ILLINOIS
 CIVIL-CALL SYSTEM
 CONTACT J.U.L.I.E. at 811 or 800-892-0123
 48 Hours (2 Working Days) BEFORE YOU DIG.
 Include the following:
 County, City/Township, Section & 1/2 Section No.

SITE BENCHMARK 1:
 HEAD BOLT ON FIRE HYDRANT THAT ARROW POINTS TO, LOCATED APPROXIMATELY 740' SOUTH OF MAIN CAMPUS EXT ROAD ONTO HOBOLT ROAD.
 ELEVATION: 607.75 (NAVD 88)

SITE BENCHMARK 2:
 CUT CROSS TOP OF CONCRETE PAD BY ELECTRIC PANELS LOCATED TO THE EAST OF THE BASEBALL FIELD PRESS BLDG.
 ELEVATION = 564.18 (NAVD 88)

FIELD VERIFY BENCHMARKS



SEE SHEET C2.2 FOR CONTINUATION

| REVISIONS | | | | | |
|-----------|-----------|---------------------|------|-----|------|
| No. | DATE | DESCRIPTION | BY | No. | DATE |
| 0 | 1-19-2016 | RELEASED FOR REVIEW | R.P. | | |
| 1 | 2-3-2016 | ISSUED FOR BID | R.P. | | |

DOCUMENTATION:
 PROJECT No.: 20150856.00
 DATE: 11-20-2015
 FIELD BOOK: JJC
 DRAWN BY: R.P.
 CHECKED BY: J.H.



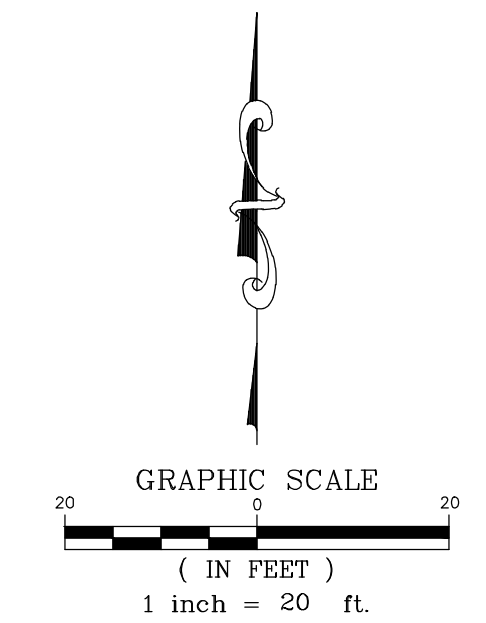
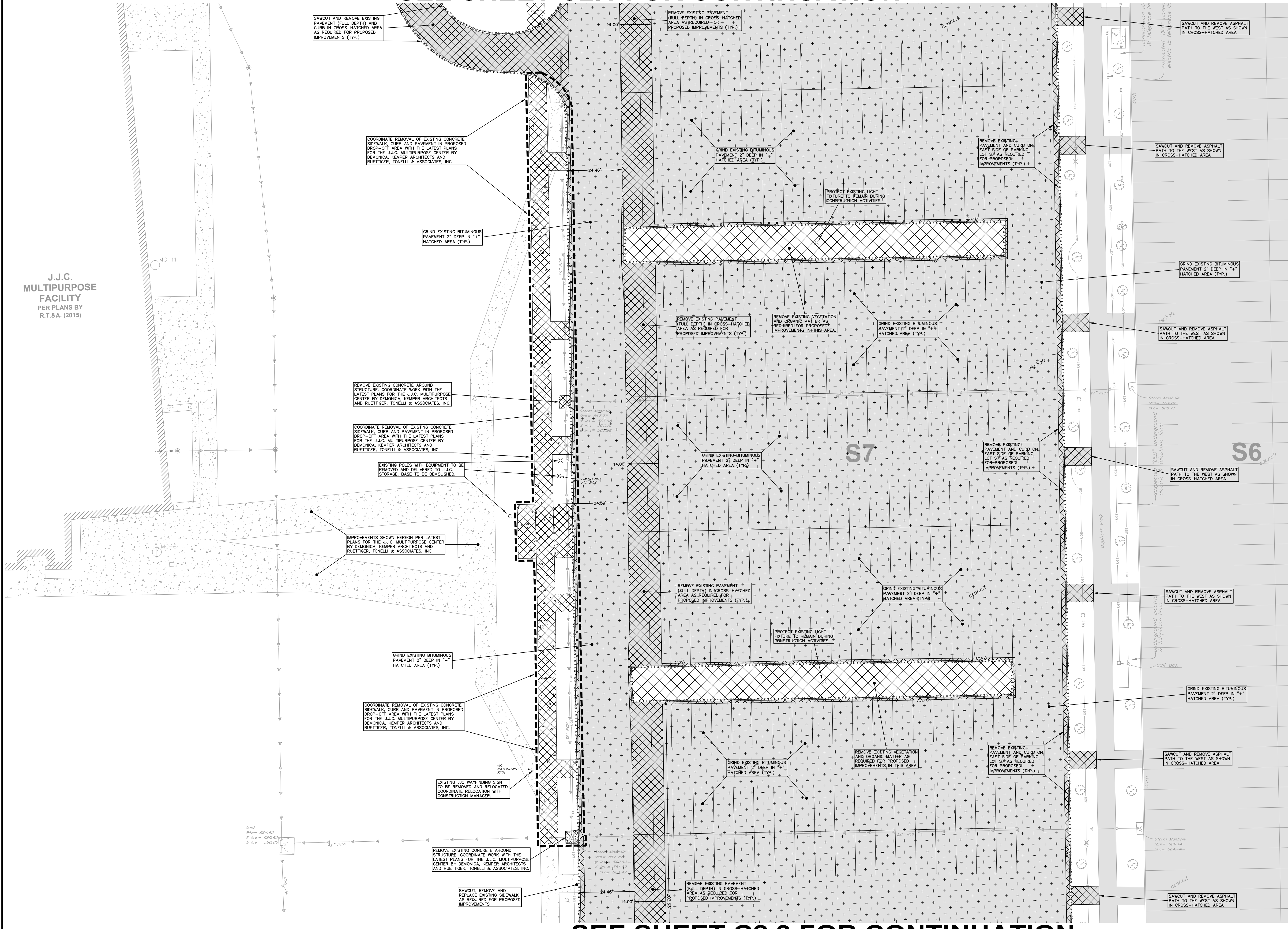
Ruettiger, Tonelli & Associates, Inc.
 Surveyors • Engineers • Planners • Landscape Architects • G.I.S. Consultants
 129 CAPISTA DRIVE - SHOREWOOD, ILLINOIS 60404
 PH. (815) 744-6600 FAX (815) 744-0101
 website: www.ruettigertonnelli.com

PROJECT TITLE:
PARKING LOT S7 IMPROVEMENT PLANS
 JOLIET JUNIOR COLLEGE
 1215 HOBOLT DRIVE
 JOLIET, ILLINOIS 60431

DRAWING TITLE:
ISSUED FOR BID
DEMOLITION PLAN
 (1 OF 3)

DRAWING No.
 315-0856-C1
 SCALE:
 AS NOTED
SHEET C2.1

SEE SHEET C2.1 FOR CONTINUATION

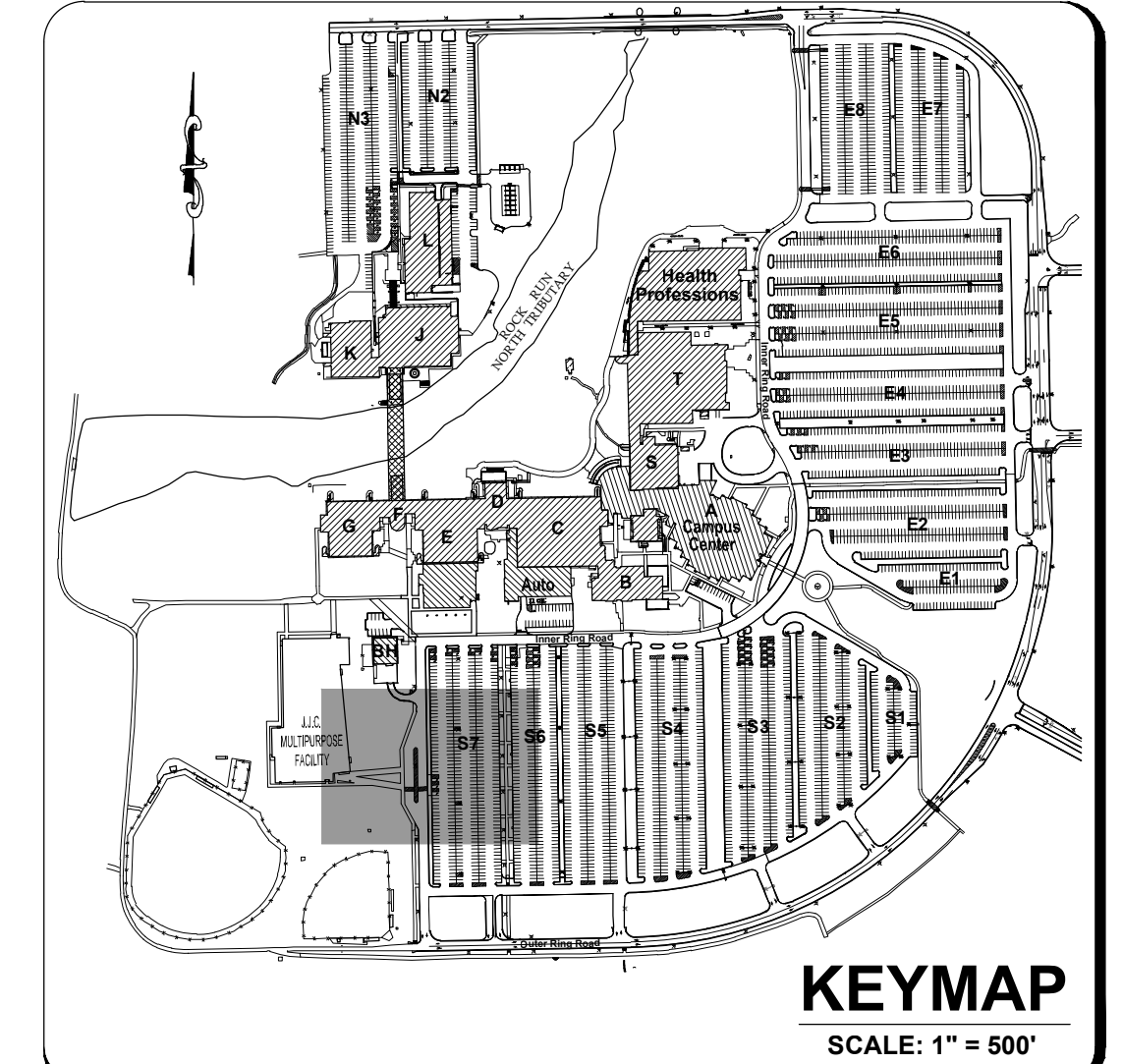


SEE SHEET C0.1 FOR LEGEND AND NOTES.

Call Before You Dig
JULIE
 ILLINOIS
 CIVIL-CALL SYSTEM
 CONTACT J.U.L.I.E. at 811 or 800-892-0123
 48 Hours (2 Working Days) BEFORE YOU DIG.
 Include the following:
 County, City/Township, Section & 1/4, Section No.

SITE BENCHMARK 1:
 HEAD BOLT ON FIRE HYDRANT THAT ARROW POINTS TO LOCATED APPROXIMATELY 740' SOUTH OF MAIN CAMPUS EXT ROAD ONTO HOUBOLT ROAD.
 ELEVATION: 607.75 (NAVD 88)

SITE BENCHMARK 2:
 CUT CROSS TOP OF CONCRETE PAD BY ELECTRIC PANELS LOCATED TO THE EAST OF THE BASEBALL FIELD PRESS BOX.
 ELEVATION = 564.18 (NAVD 88)
 FIELD VERIFY BENCHMARKS.



SEE SHEET C2.3 FOR CONTINUATION

REVISIONS

| No. | DATE | DESCRIPTION | BY |
|-----|-----------|---------------------|------|
| 0 | 1-19-2016 | RELEASED FOR REVIEW | R.P. |
| 1 | 2-3-2016 | ISSUED FOR BID | R.P. |

DOCUMENTATION:
 PROJECT No.: 20150856.00
 DATE: 11-20-2015
 FIELD BOOK: JJC
 DRAWN BY: R.P.
 CHECKED BY: J.H.



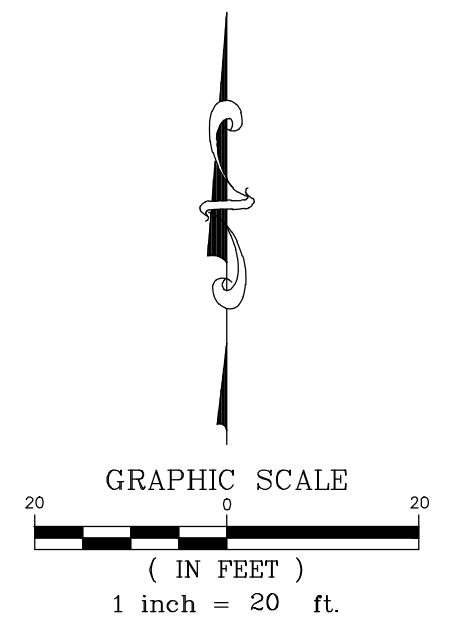
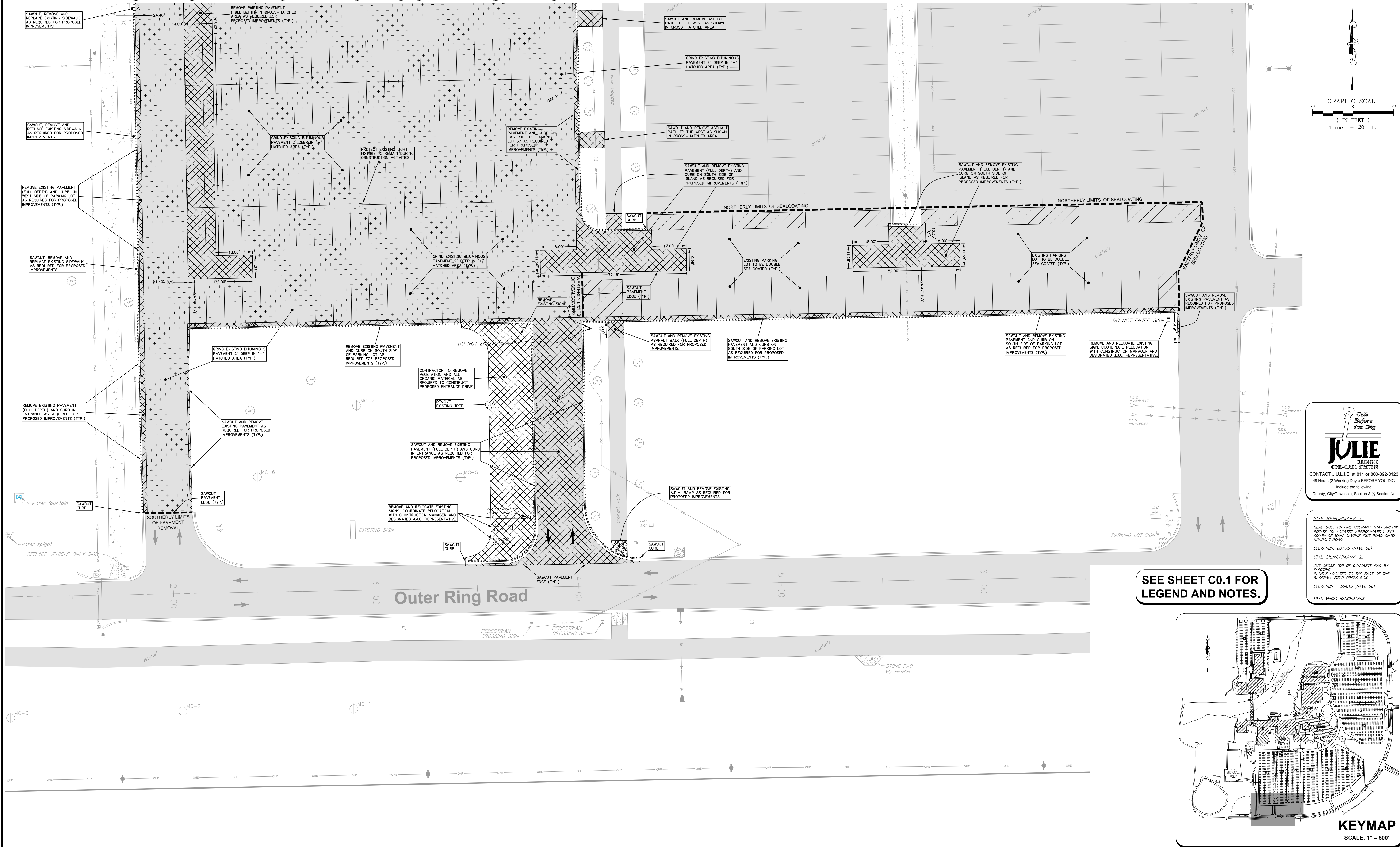
Ruettiger, Tonelli & Associates, Inc.
 Surveyors • Engineers • Planners • Landscape Architects • G.I.S. Consultants
 129 CAPISTA DRIVE - SHOREWOOD, ILLINOIS 60404
 PH. (815) 744-6600 FAX (815) 744-0101
 website: www.ruettigertonnelli.com

PROJECT TITLE:
PARKING LOT S7 IMPROVEMENT PLANS
 JULIET JUNIOR COLLEGE
 1215 HOUBOLT DRIVE
 JULIET, ILLINOIS 60431

DRAWING TITLE:
ISSUED FOR BID
DEMOLITION PLAN
(2 OF 3)

DRAWING No.
 315-0856-C1
 SCALE:
 AS NOTED
SHEET C2.2

SEE SHEET C2.2 FOR CONTINUATION



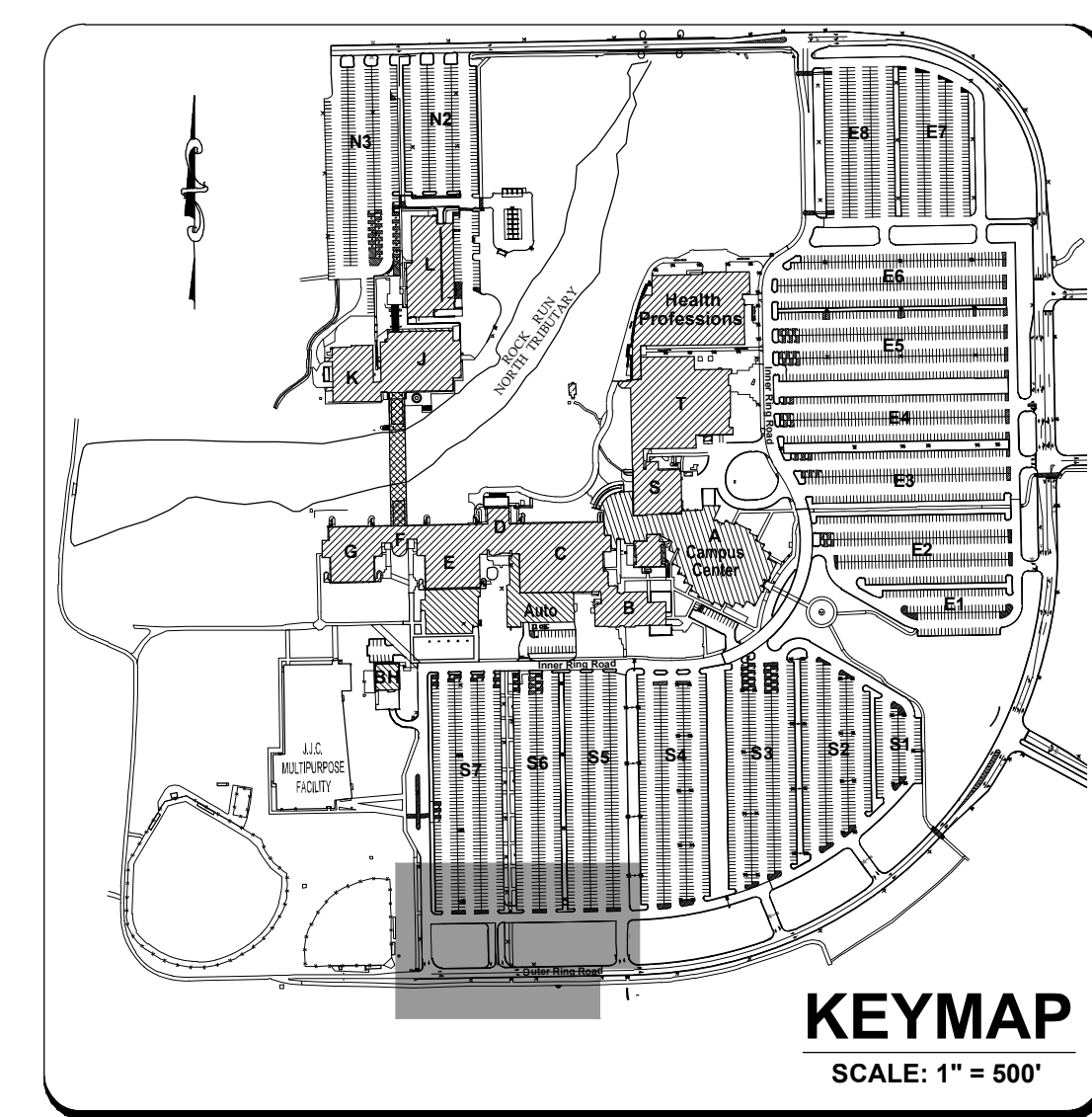
Call Before You Dig
JULIE
 ILLINOIS ONE-CALL SYSTEM
 CONTACT J.U.L.I.E. at 811 or 800-892-0123
 48 Hours (2 Working Days) BEFORE YOU DIG.
 Include the following:
 County, City/Township, Section & 1/4 Section No.

SITE BENCHMARK 1:
 HEAD BOLT ON FIRE HYDRANT THAT ARROW POINTS TO LOCATED APPROXIMATELY 740' SOUTH OF MAIN CAMPUS EXT ROAD ONTO HOBOLT ROAD.
 ELEVATION = 607.75 (NAVD 88)

SITE BENCHMARK 2:
 CUT CROSS TOP OF CONCRETE PAD BY ELECTRIC PANELS LOCATED TO THE EAST OF THE BASEBALL FIELD PRESS BOX.
 ELEVATION = 564.18 (NAVD 88)

FIELD VERIFY BENCHMARKS

SEE SHEET C0.1 FOR LEGEND AND NOTES.



| REVISIONS | | |
|-----------|-----------|---------------------|
| No. | DATE | DESCRIPTION |
| 0 | 1-19-2016 | RELEASED FOR REVIEW |
| 1 | 2-3-2016 | ISSUED FOR BID |

DOCUMENTATION:
 PROJECT No.: 20150856.00
 DATE: 11-20-2015
 FIELD BOOK: JJC
 DRAWN BY: R.P.
 CHECKED BY: J.H.

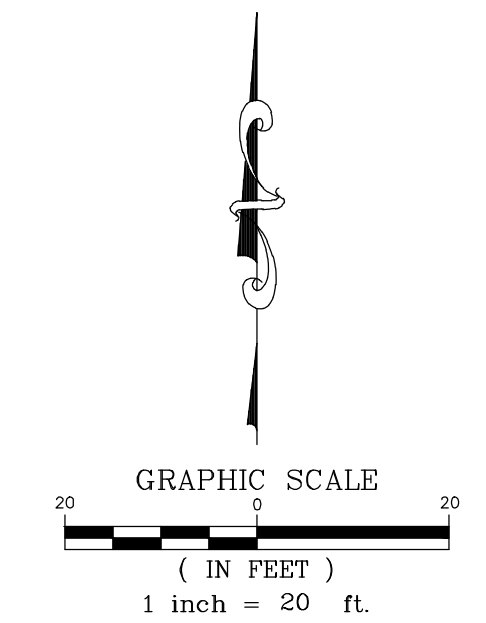
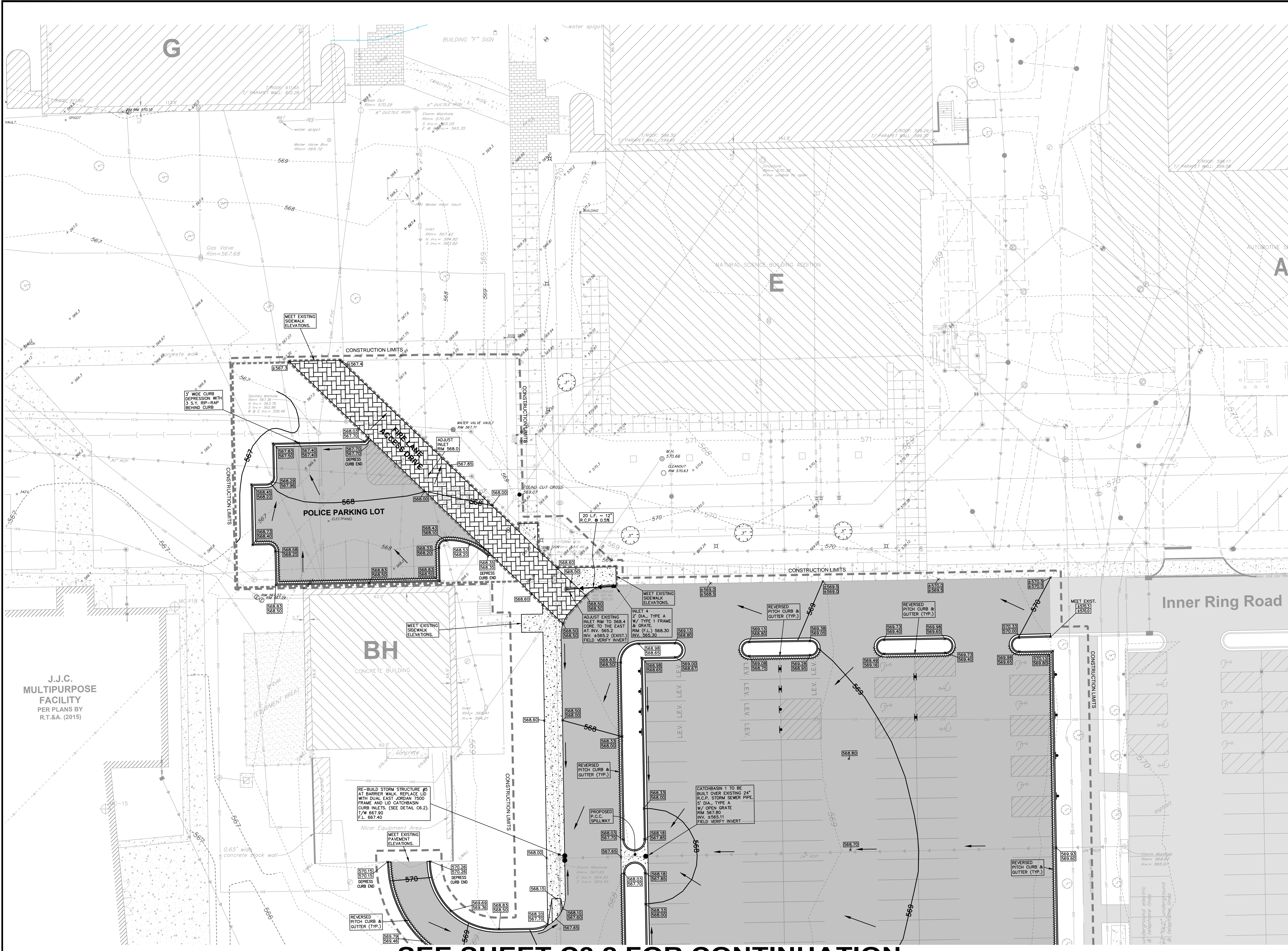


Ruettiger, Tonelli & Associates, Inc.
 Surveyors • Engineers • Planners • Landscape Architects • G.I.S. Consultants
 129 CAPISTA DRIVE - SHOREWOOD, ILLINOIS 60404
 PH. (815) 744-6600 FAX (815) 744-0101
 website: www.ruettigertonnelli.com

PROJECT TITLE:
PARKING LOT S7 IMPROVEMENT PLANS
 JOLIET JUNIOR COLLEGE
 1215 HOUBOLT DRIVE
 JOLIET, ILLINOIS 60431

DRAWING TITLE:
ISSUED FOR BID
DEMOLITION PLAN
(3 OF 3)

DRAWING No.
 315-0856-C1
 SCALE:
 AS NOTED
SHEET C2.3

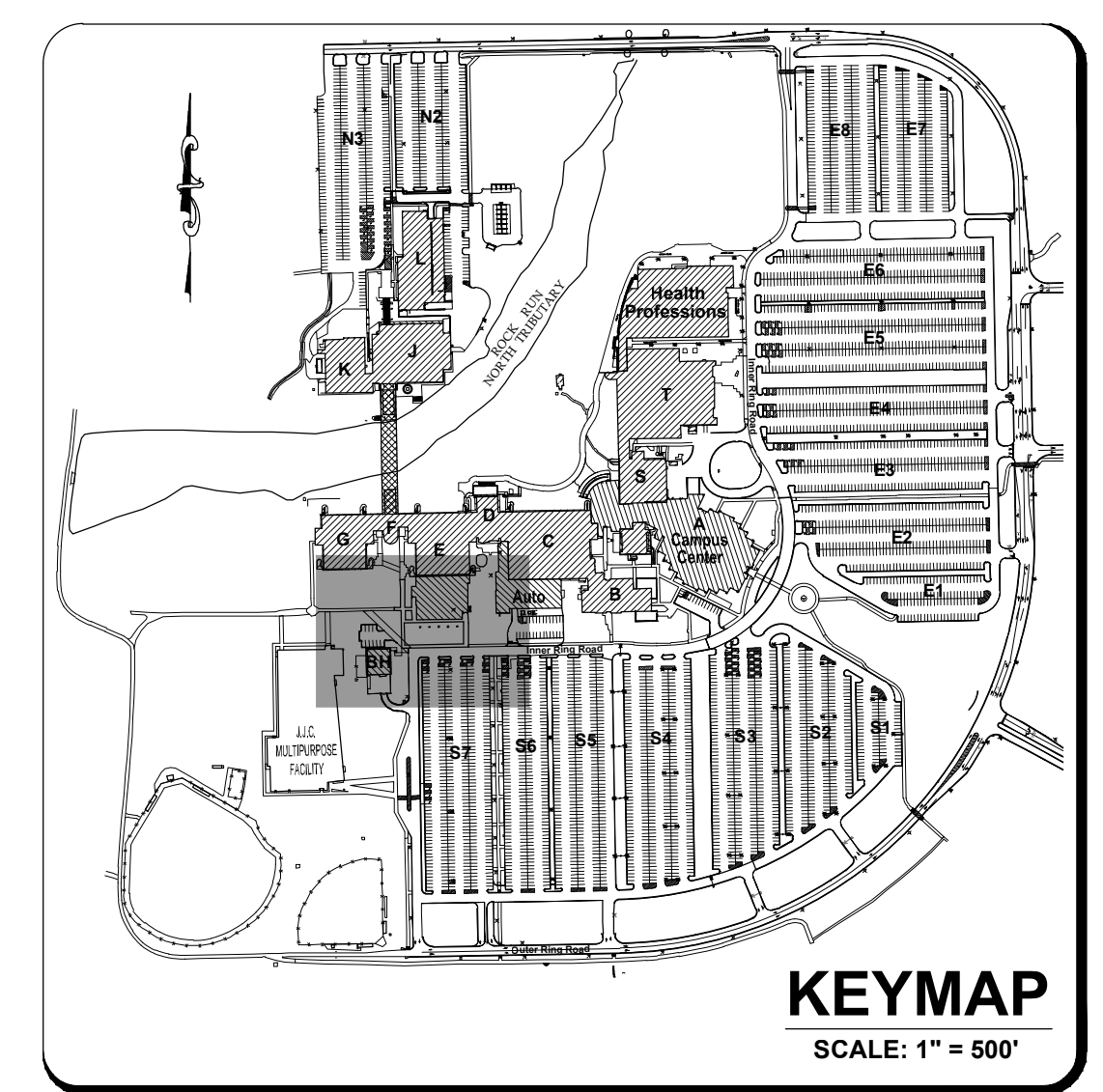


SEE SHEET C0.1 FOR LEGEND AND NOTES.

SITE BENCHMARK 1:
HEAD BOLT ON FIRE HYDRANT THAT ARROW POINTS TO LOCATED APPROXIMATELY 740' SOUTH OF MAIN CAMPUS EXT ROAD ONTO HOUBOLT ROAD.
ELEVATION: 607.75 (NAVD 88)

SITE BENCHMARK 2:
CUT GROSS TOP OF CONCRETE PAD BY ELECTRIC PANELS LOCATED TO THE EAST OF THE BASEBALL FIELD PRESS BOX.
ELEVATION = 564.18 (NAVD 88)

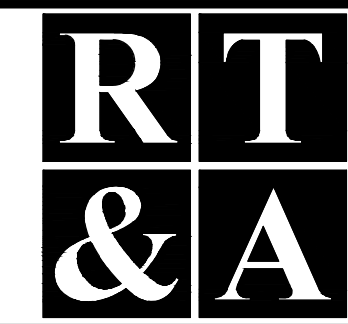
FIELD VERIFY BENCHMARKS.



SEE SHEET C3.2 FOR CONTINUATION

| REVISIONS | | | |
|-----------|-----------|---------------------|------|
| No. | DATE | DESCRIPTION | BY |
| 0 | 1-19-2016 | RELEASED FOR REVIEW | R.P. |
| 1 | 2-3-2016 | ISSUED FOR BID | R.P. |

DOCUMENTATION:
PROJECT No.: 20150856.00
DATE: 11-20-2015
FIELD BOOK: JUC
DRAWN BY: R.P.
CHECKED BY: J.H.



Ruettiger, Tonelli & Associates, Inc.
Surveyors • Engineers • Planners • Landscape Architects • G.I.S. Consultants
129 CAPISTA DRIVE - SHOREWOOD, ILLINOIS 60404
PH. (815) 744-6600 FAX (815) 744-0101
website: www.ruettigertonnelli.com

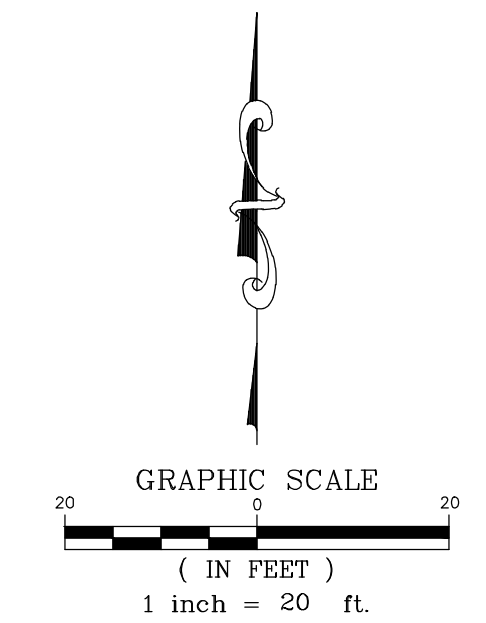
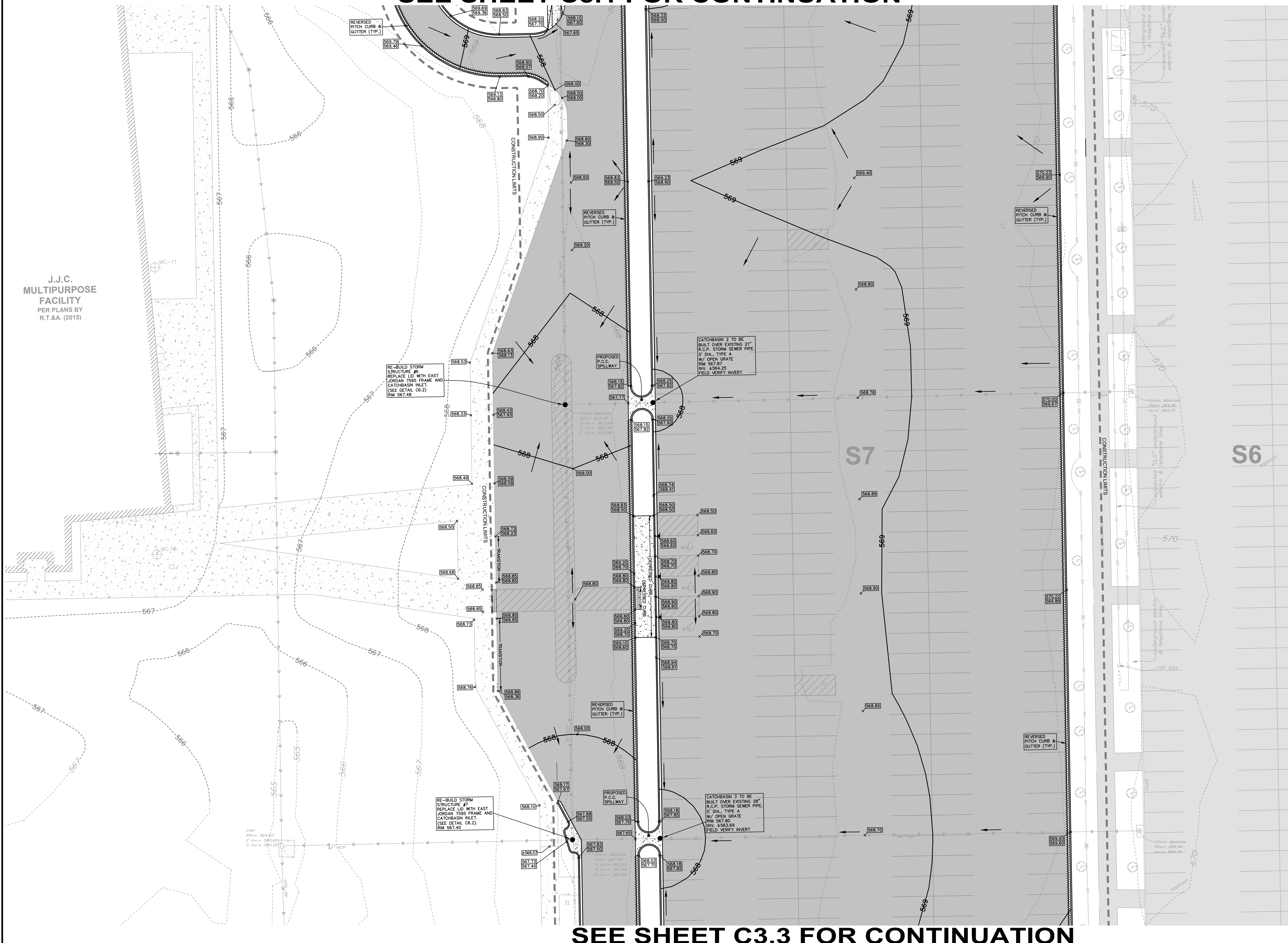
PROJECT TITLE: **PARKING LOT S7 IMPROVEMENT PLANS**
JOLIET JUNIOR COLLEGE
1215 HOUBOLT DRIVE
JOLIET, ILLINOIS 60431

DRAWING TITLE: **ISSUED FOR BID PROPOSED SITE IMPROVEMENT PLAN (1 OF 3)**

DRAWING No. 315-0856-C1
SCALE: AS NOTED
SHEET C3.1

N:\2015\0856\Engineering\Plan_Sheet\1 - Parking Lot S7\SH_C3.1 - Proposed Site Improvement Plan 01.dwg Layout: 2/20/16 10:13:18 AM (page 6)

SEE SHEET C3.1 FOR CONTINUATION

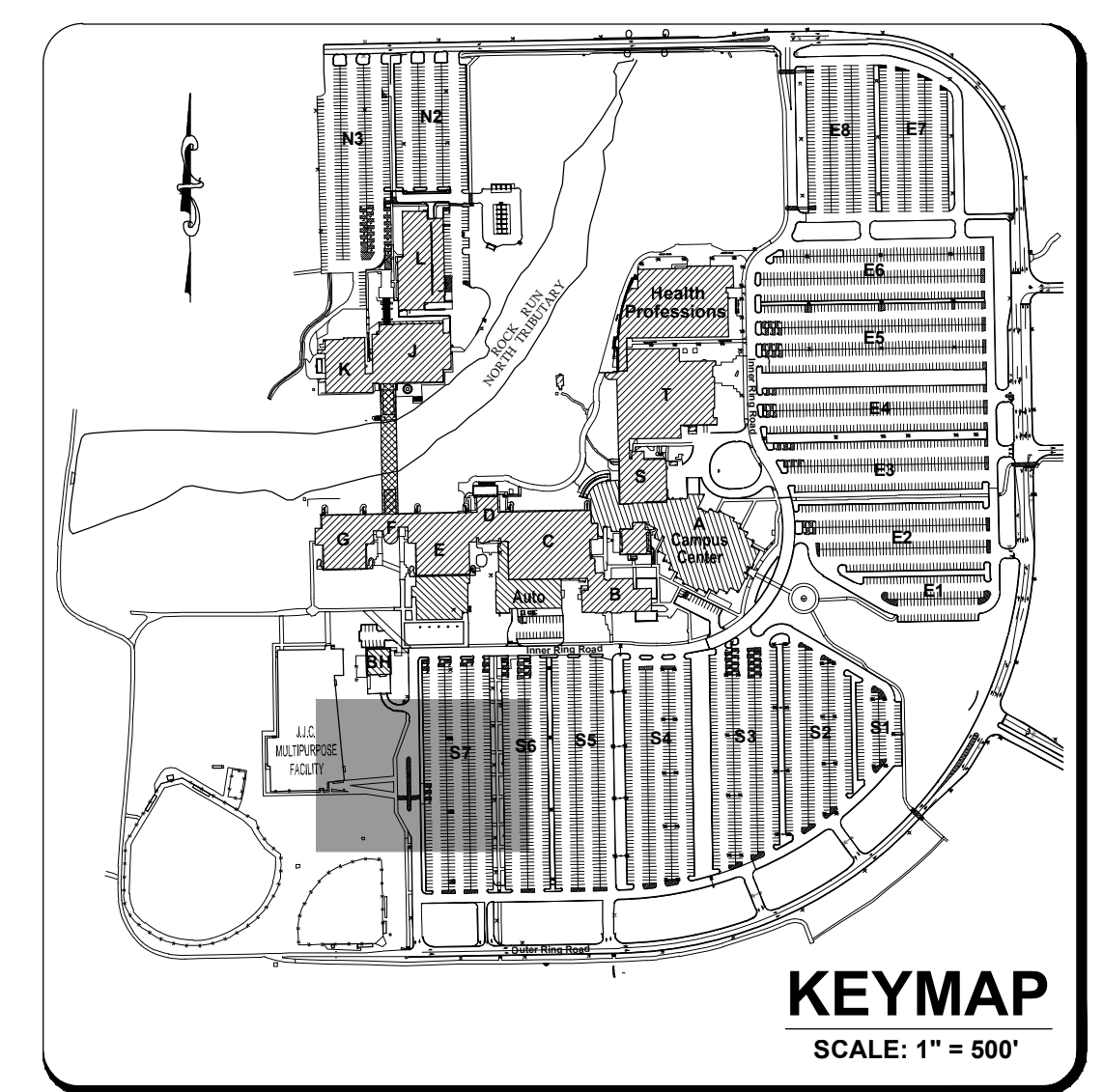


SEE SHEET C0.1 FOR LEGEND AND NOTES.

SITE BENCHMARK 1:
HEAD BOLT ON FIRE HYDRANT THAT ARROW POINTS TO, LOCATED APPROXIMATELY 740' SOUTH OF MAIN CAMPUS EXT ROAD ONTO HOUBOLT ROAD.
ELEVATION = 607.75 (NAVD 88)

SITE BENCHMARK 2:
CUT CROSS TOP OF CONCRETE PAD BY ELECTRIC PANELS LOCATED TO THE EAST OF THE BASEBALL FIELD PRESS BOX.
ELEVATION = 564.18 (NAVD 88)

FIELD VERIFY BENCHMARKS.

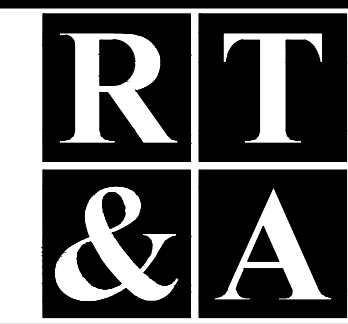


SEE SHEET C3.3 FOR CONTINUATION

REVISIONS

| No. | DATE | DESCRIPTION | BY |
|-----|-----------|---------------------|------|
| 0 | 1-19-2016 | RELEASED FOR REVIEW | R.P. |
| 1 | 2-3-2016 | ISSUED FOR BID | R.P. |

DOCUMENTATION:
PROJECT No.: 20150856.00
DATE: 11-20-2015
FIELD BOOK: JUC
DRAWN BY: R.P.
CHECKED BY: J.H.



Ruettiger, Tonelli & Associates, Inc.
Surveyors • Engineers • Planners • Landscape Architects • G.I.S. Consultants
129 CAPISTA DRIVE - SHOREWOOD, ILLINOIS 60404
PH. (815) 744-6600 FAX (815) 744-0101
website: www.ruettigertonnelli.com

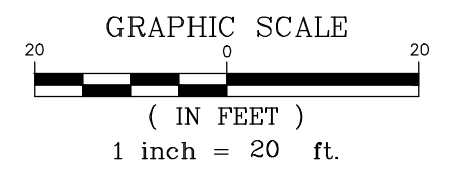
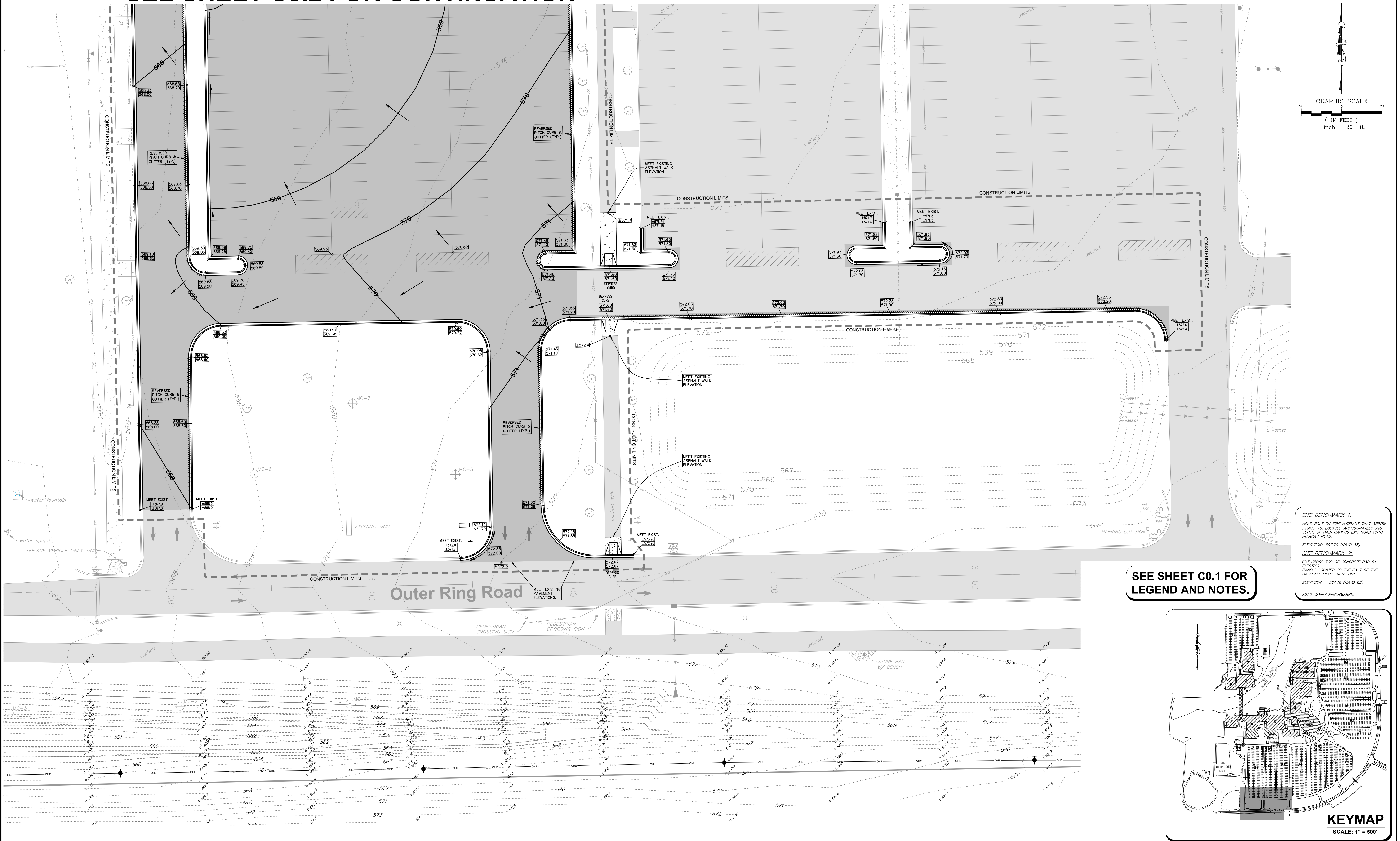
PROJECT TITLE:
PARKING LOT S7 IMPROVEMENT PLANS
JOLIET JUNIOR COLLEGE
1215 HOUBOLT DRIVE
JOLIET, ILLINOIS 60431

DRAWING TITLE:
ISSUED FOR BID PROPOSED SITE IMPROVEMENT PLAN (2 OF 3)

DRAWING No.
315-0856-C1
SCALE:
AS NOTED
SHEET C3.2

N:\2015\0856\Engineering\Plan_Sheet\CT - Parking Lot S7\SH_C3.2 - Proposed Site Improvement Plan (2 of 3) Layout_20161014.dwg, AM, 10/14/16

SEE SHEET C3.2 FOR CONTINUATION

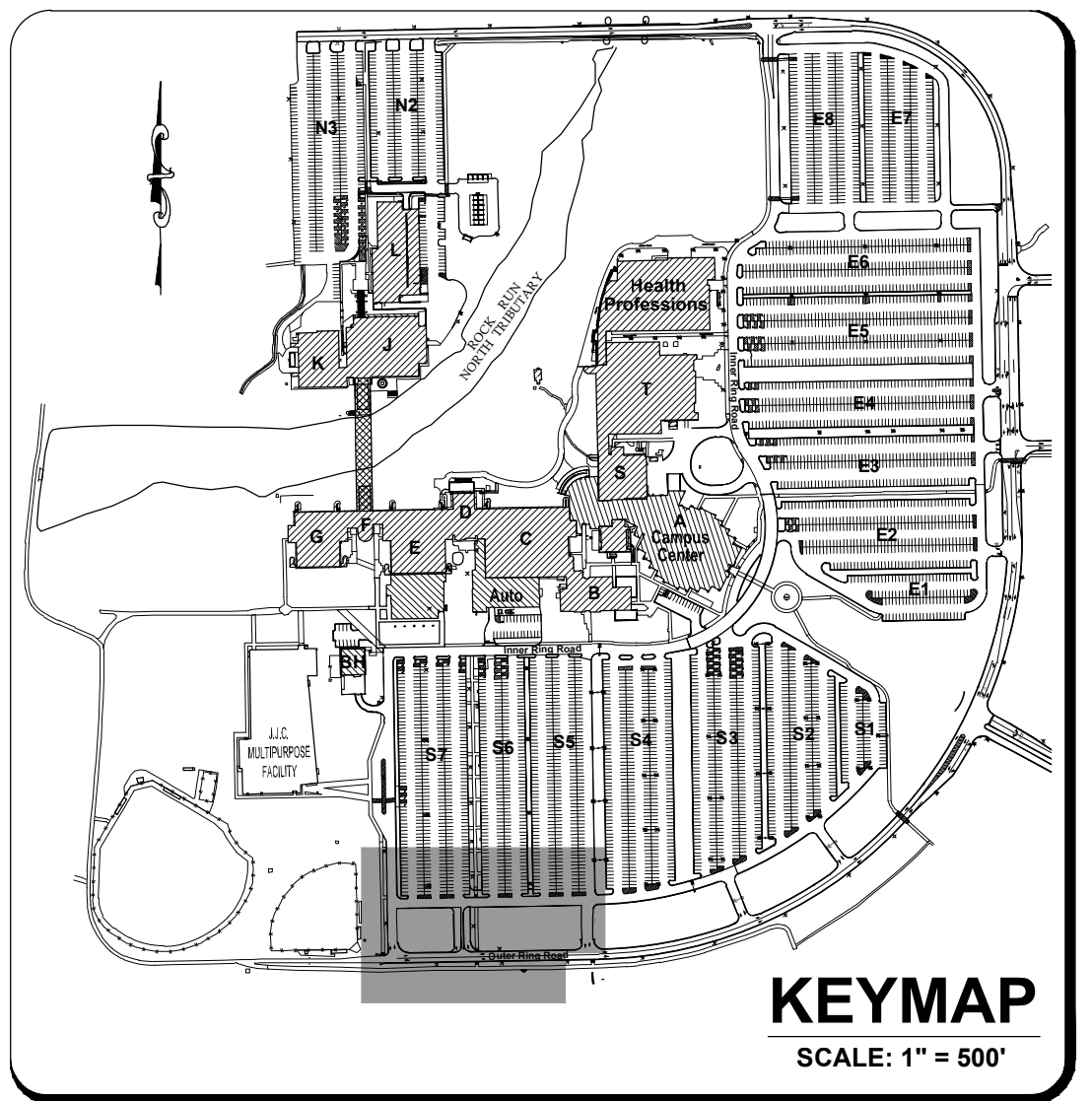


SEE SHEET C0.1 FOR LEGEND AND NOTES.

SITE BENCHMARK 1:
HEAD BOLT ON FIRE HYDRANT THAT ARROW POINTS TO, LOCATED APPROXIMATELY 740' SOUTH OF MAIN CAMPUS EXT ROAD ONTO HOBOLT ROAD.
ELEVATION: 607.75 (NAVD 88)

SITE BENCHMARK 2:
CUT CROSS TOP OF CONCRETE PAD BY ELECTRIC PANELS LOCATED TO THE EAST OF THE BASEBALL FIELD PRESS BOX.
ELEVATION = 564.18 (NAVD 88)

FIELD VERIFY BENCHMARKS.



| REVISIONS | | | | DOCUMENTATION: | | | |
|-----------|-----------|---------------------|------|----------------|------|-------------|----|
| No. | DATE | DESCRIPTION | BY | No. | DATE | DESCRIPTION | BY |
| 0 | 1-19-2016 | RELEASED FOR REVIEW | R.P. | | | | |
| 1 | 2-3-2016 | ISSUED FOR BID | R.P. | | | | |

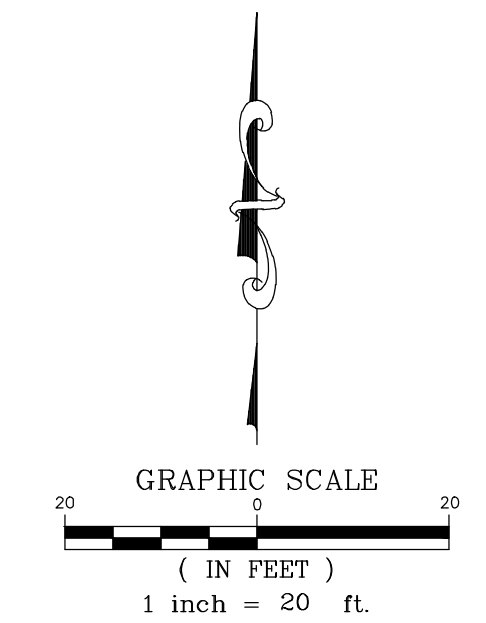
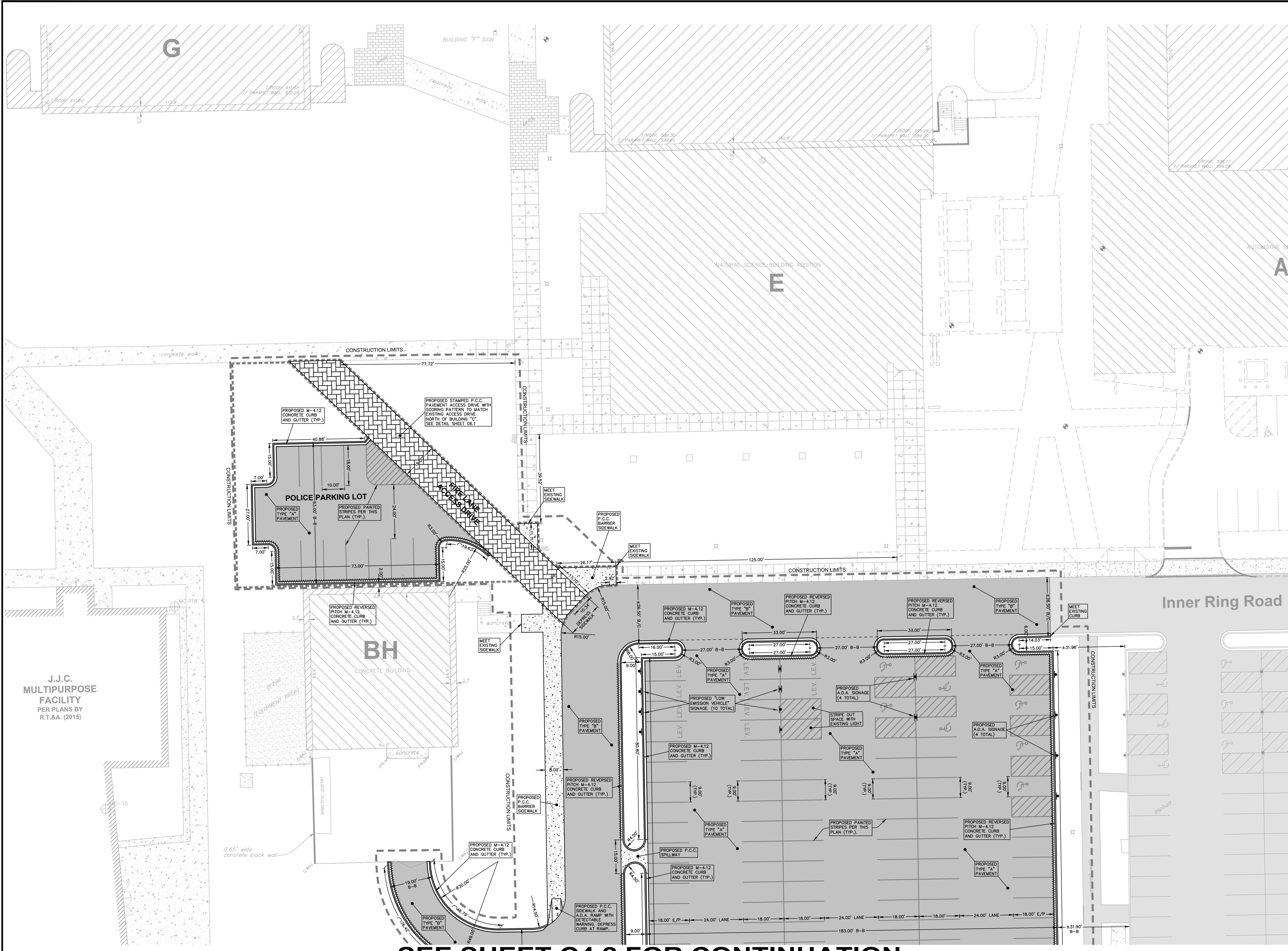
PROJECT No.: 20150856.00
DATE: 11-20-2015
FIELD BOOK: JUC
DRAWN BY: R.P.
CHECKED BY: J.H.

RT & A
Ruettiger, Tonelli & Associates, Inc.
Surveyors • Engineers • Planners • Landscape Architects • G.I.S. Consultants
129 CAPISTA DRIVE - SHOREWOOD, ILLINOIS 60404
PH. (815) 744-6600 FAX (815) 744-0101
website: www.ruettigertonnelli.com

PROJECT TITLE: **PARKING LOT S7 IMPROVEMENT PLANS**
JOLIET JUNIOR COLLEGE
1215 HOUBOLT DRIVE
JOLIET, ILLINOIS 60431

DRAWING TITLE: **ISSUED FOR BID PROPOSED SITE IMPROVEMENT PLAN (3 OF 3)**

DRAWING No. 315-0856-C1
SCALE: AS NOTED
SHEET C3.3

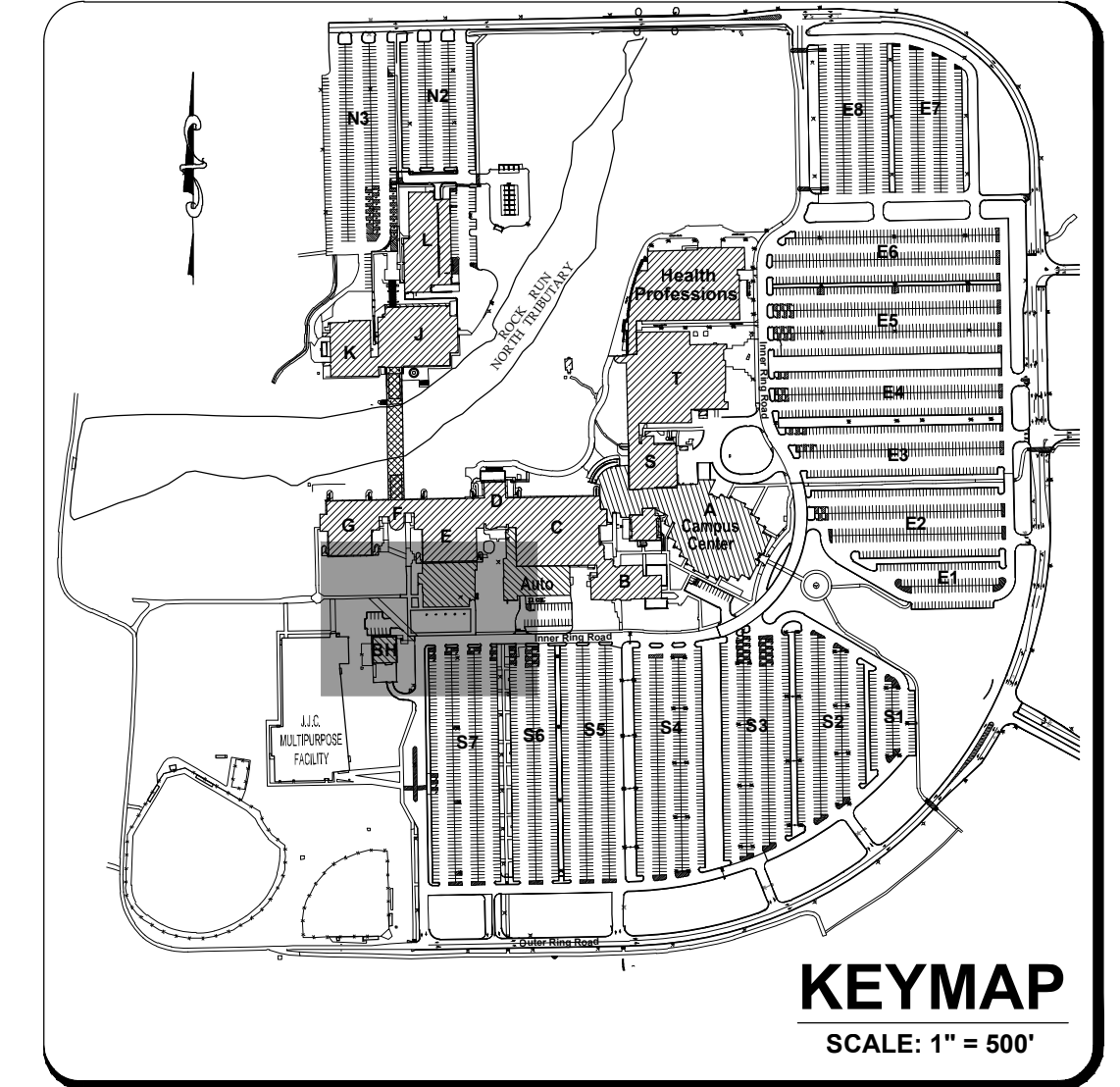


SEE SHEET C0.1 FOR LEGEND AND NOTES.

SITE BENCHMARK 1:
HEAD BOLT ON FIRE HYDRANT THAT ARROW POINTS TO LOCATED APPROXIMATELY 740' SOUTH OF MAIN CAMPUS EXT ROAD ONTO HOUBOLT ROAD.
ELEVATION = 607.75 (NAVD 88)

SITE BENCHMARK 2:
CUT CROSS TOP OF CONCRETE PAD BY ELECTRIC PANELS LOCATED TO THE EAST OF THE BASEBALL FIELD PRESS BOX.
ELEVATION = 564.18 (NAVD 88)

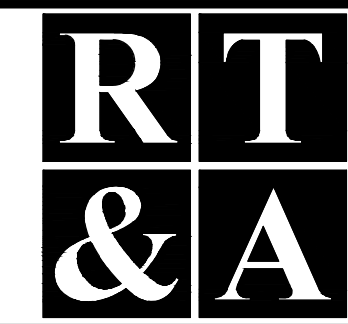
FIELD VERIFY BENCHMARKS



SEE SHEET C4.2 FOR CONTINUATION

| REVISIONS | | | |
|-----------|-----------|---------------------|------|
| No. | DATE | DESCRIPTION | BY |
| 0 | 1-19-2016 | RELEASED FOR REVIEW | R.P. |
| 1 | 2-3-2016 | ISSUED FOR BID | R.P. |

DOCUMENTATION:
PROJECT No.: 20150856.00
DATE: 11-20-2015
FIELD BOOK: JUC
DRAWN BY: R.P.
CHECKED BY: J.H.



Ruettiger, Tonelli & Associates, Inc.
Surveyors • Engineers • Planners • Landscape Architects • G.I.S. Consultants
129 CAPISTA DRIVE - SHOREWOOD, ILLINOIS 60404
PH. (815) 744-6600 FAX (815) 744-0101
website: www.ruettigertonelli.com

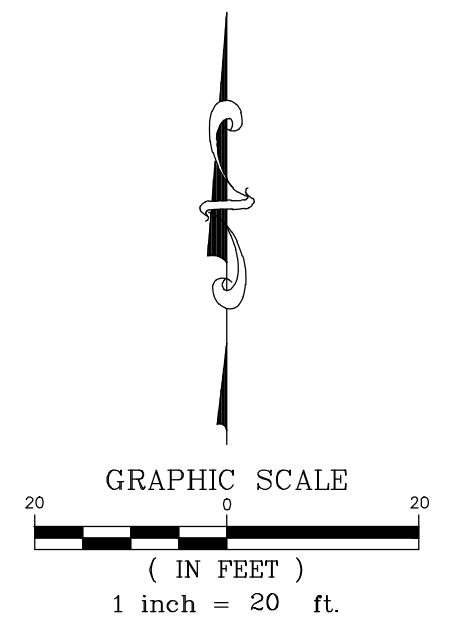
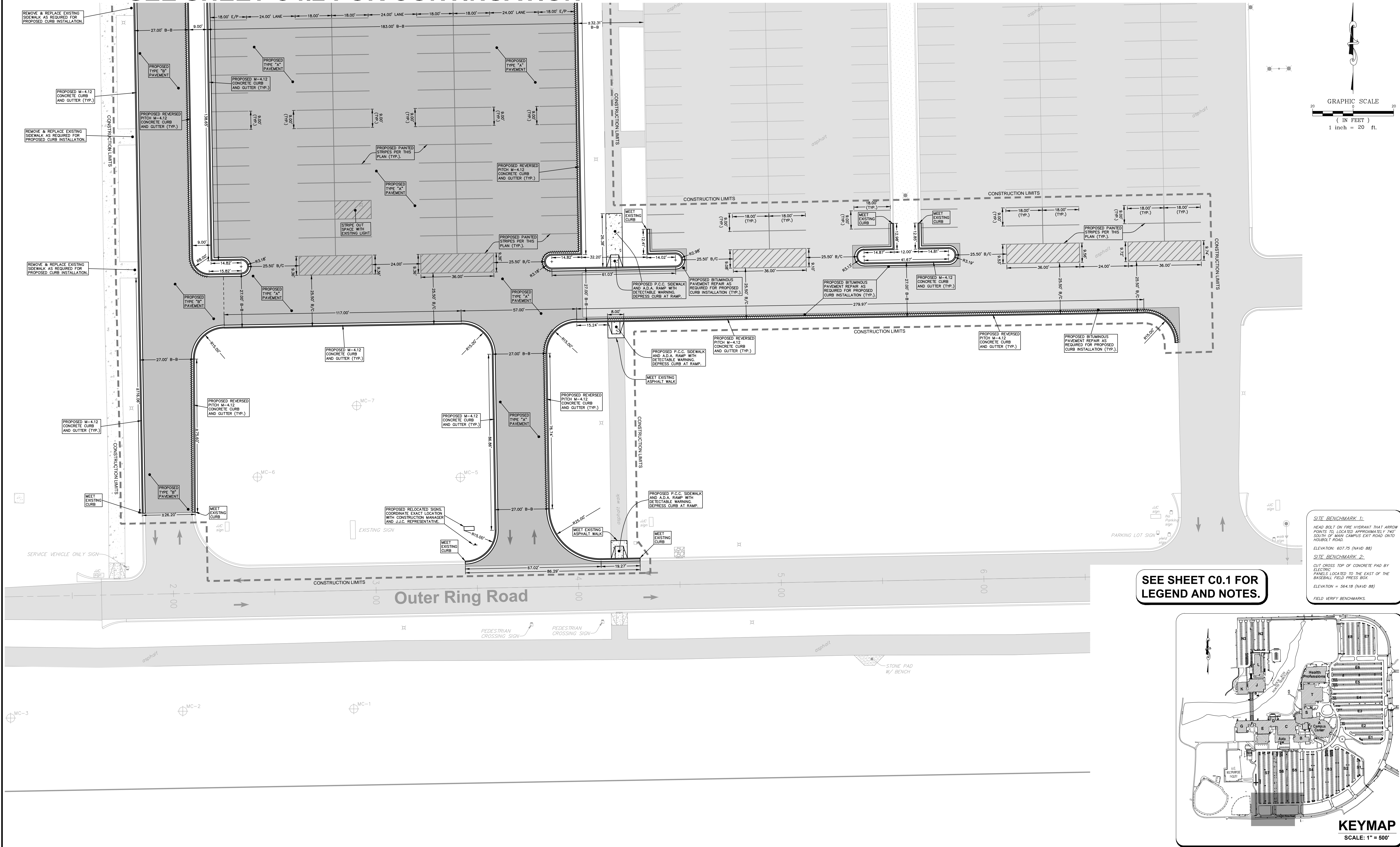
PROJECT TITLE: **PARKING LOT S7 IMPROVEMENT PLANS**
JOLIET JUNIOR COLLEGE
1215 HOUBOLT DRIVE
JOLIET, ILLINOIS 60431

DRAWING TITLE: **ISSUED FOR BID PROPOSED SITE GEOMETRY PLAN (1 OF 3)**

DRAWING No.: 315-0856-C1
SCALE: AS NOTED
SHEET C4.1

N:\2015\0856\Engineering\Plan_Sheet\CT - Parking Lot S7\SH_C4.1 - Proposed Site Geometry Plan 01.dwg, Layout: 2/20/16 10:15:27 AM, User: jh

SEE SHEET C4.2 FOR CONTINUATION

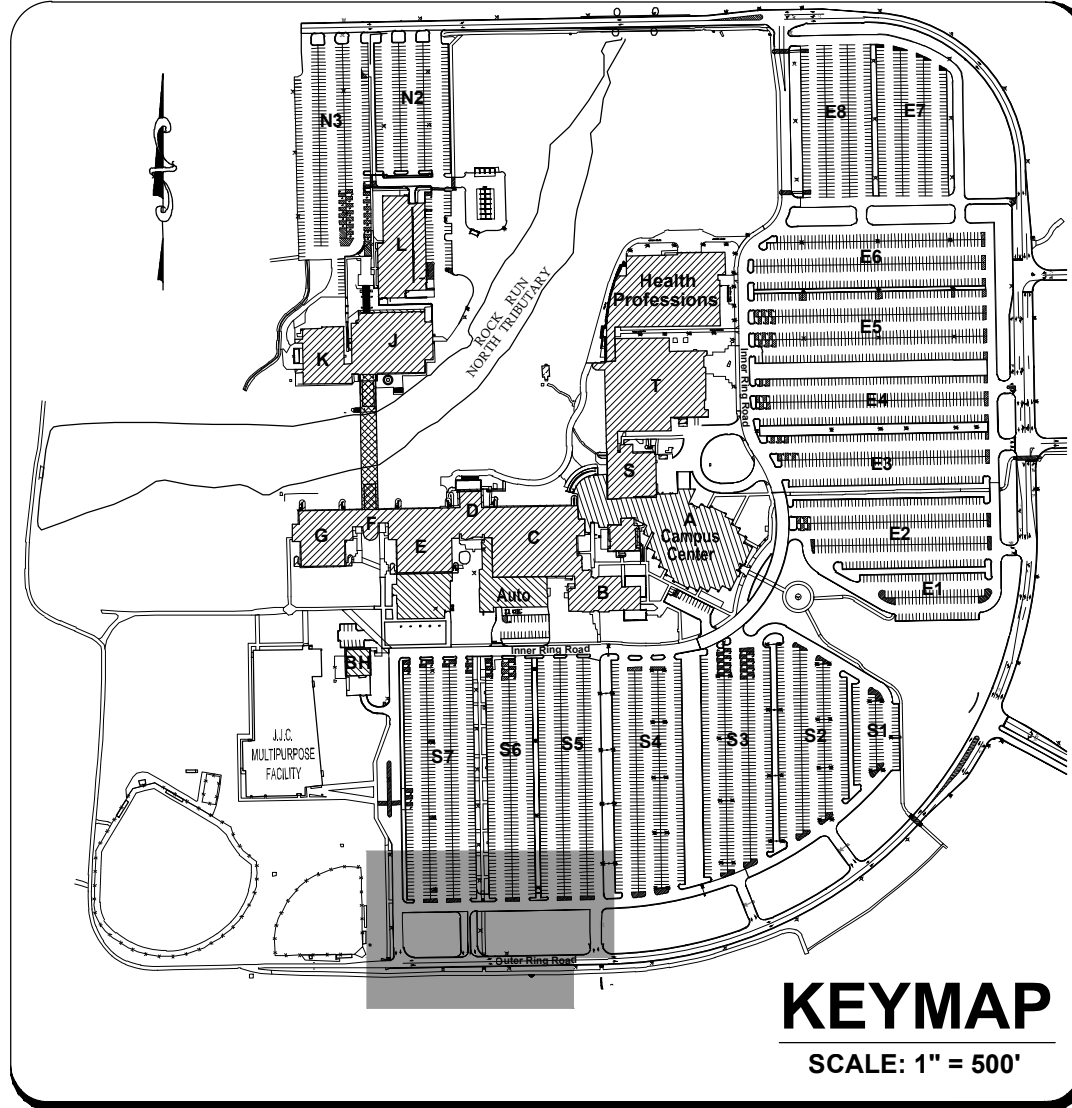


SEE SHEET C0.1 FOR LEGEND AND NOTES.

SITE BENCHMARK 1:
HEAD BOLT ON FIRE HYDRANT THAT ARROW POINTS TO LOCATED APPROXIMATELY 740' SOUTH OF MAIN CAMPUS EXT ROAD ONTO HOOBOLT ROAD.
ELEVATION = 607.75 (NAVD 88)

SITE BENCHMARK 2:
CUT CROSS TOP OF CONCRETE PAD BY ELECTRIC PANELS LOCATED TO THE EAST OF THE BASEBALL FIELD PRESS BOX.
ELEVATION = 564.18 (NAVD 88)

FIELD VERIFY BENCHMARKS.



| REVISIONS | | |
|-----------|-----------|---------------------|
| No. | DATE | DESCRIPTION |
| 0 | 1-19-2016 | RELEASED FOR REVIEW |
| 1 | 2-3-2016 | ISSUED FOR BID |

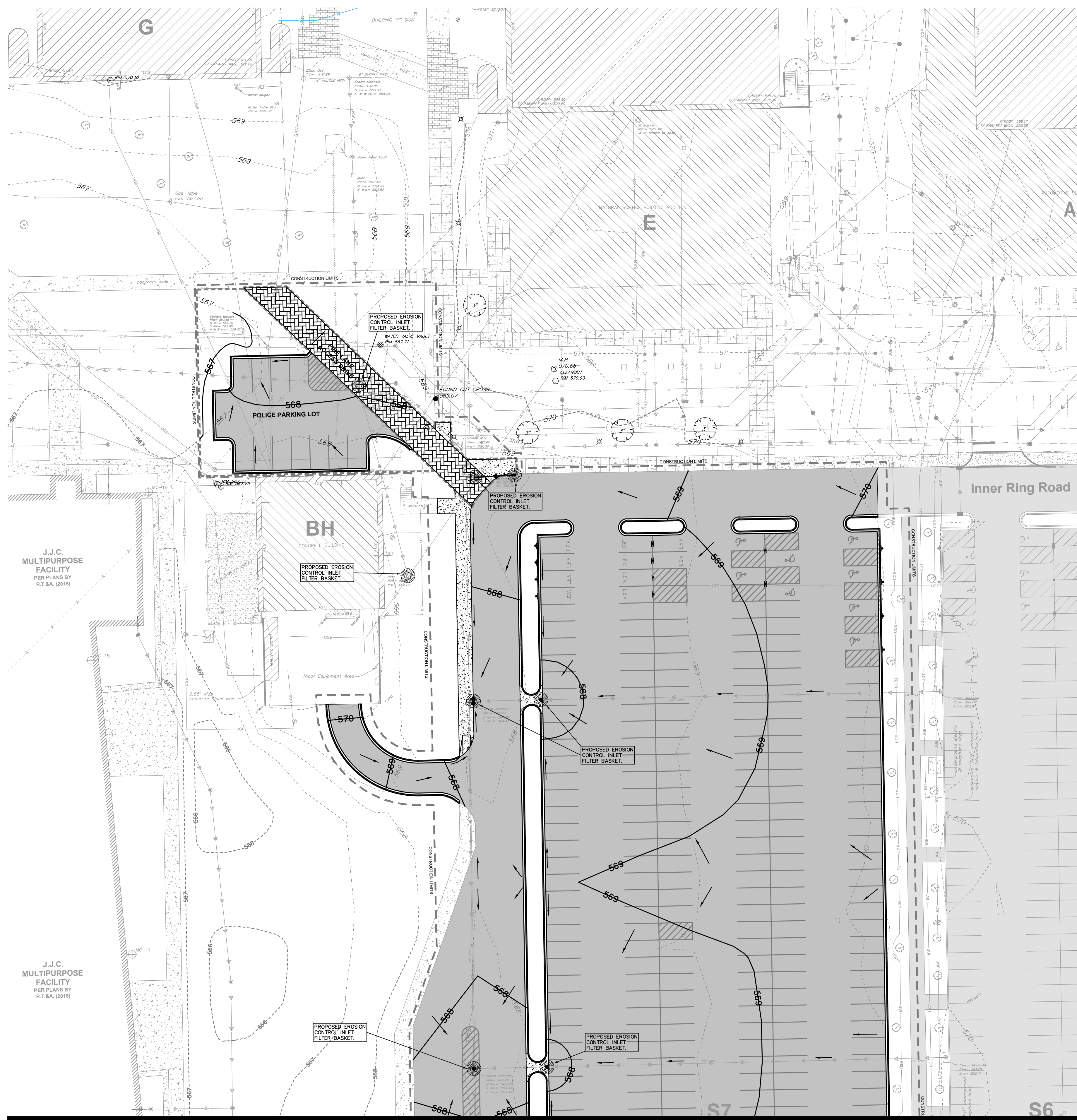
DOCUMENTATION:
PROJECT No.: 20150856.00
DATE: 11-20-2015
FIELD BOOK: JJC
DRAWN BY: R.P.
CHECKED BY: J.H.

RT & A
Ruettiger, Tonelli & Associates, Inc.
Surveyors • Engineers • Planners • Landscape Architects • G.I.S. Consultants
129 CAPISTA DRIVE - SHOREWOOD, ILLINOIS 60404
PH. (815) 744-6600 FAX (815) 744-0101
website: www.ruettigertonnelli.com

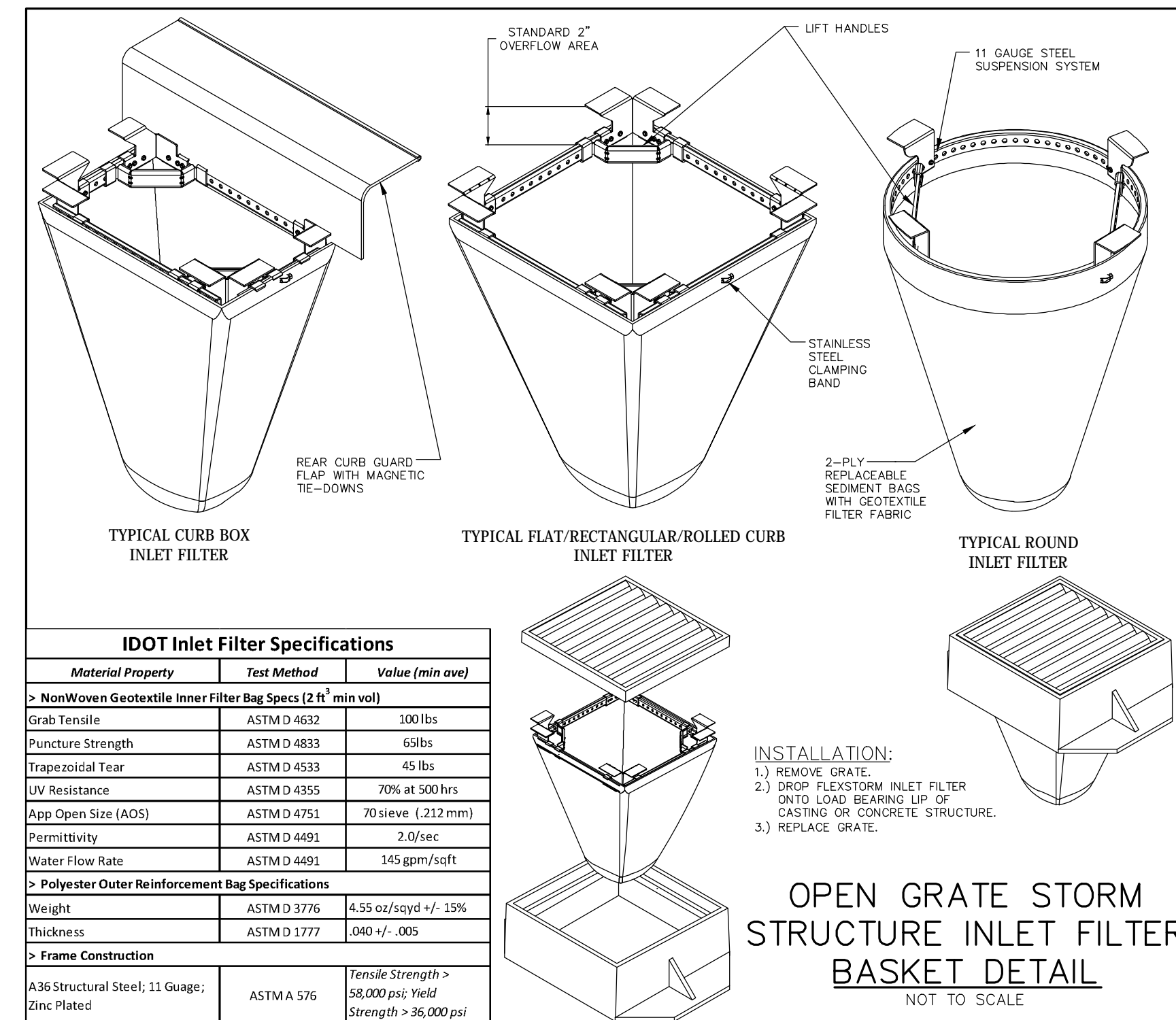
PROJECT TITLE:
PARKING LOT S7 IMPROVEMENT PLANS
JOLIET JUNIOR COLLEGE
1215 HOOBOLT DRIVE
JOLIET, ILLINOIS 60431

DRAWING TITLE:
ISSUED FOR BID PROPOSED SITE GEOMETRY PLAN (3 OF 3)

DRAWING No.
315-0856-C1
SCALE:
AS NOTED
SHEET C4.3

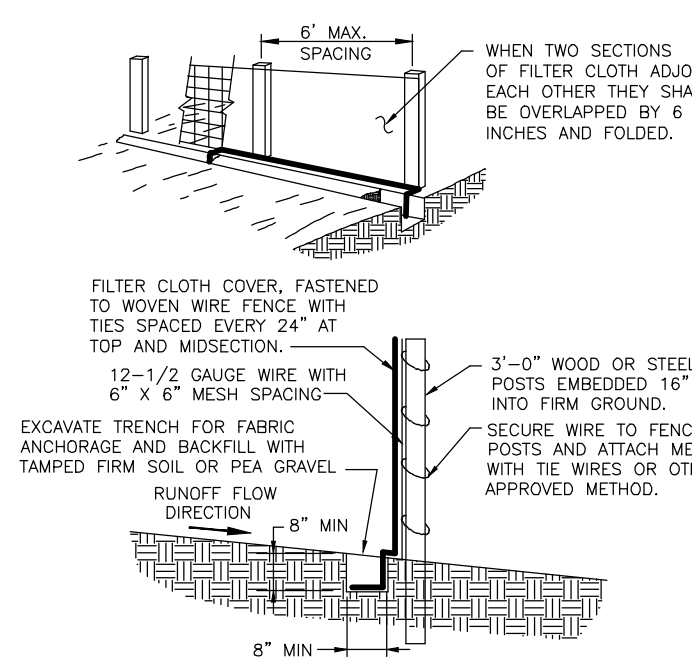


MATCHLINE A-A (SEE SHEET C5.2 FOR CONTINUATION)



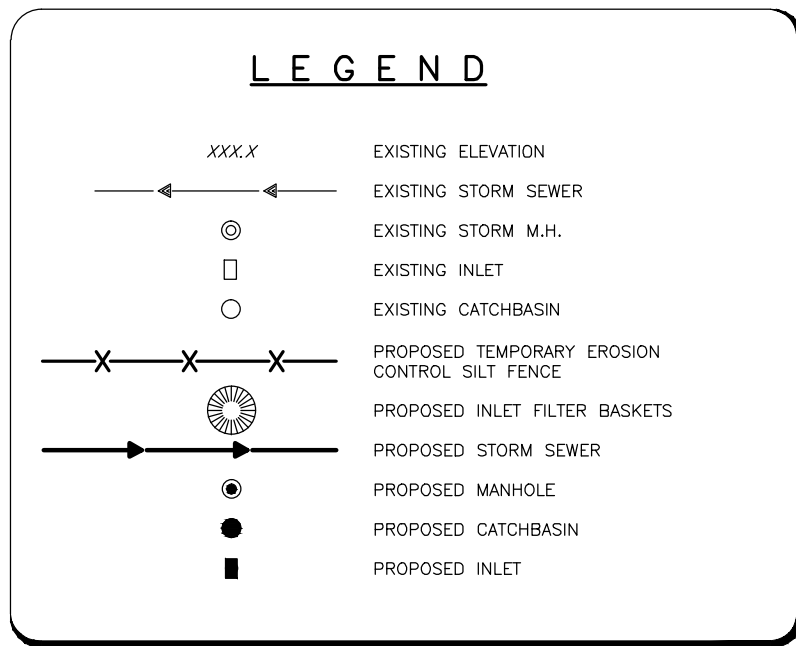
| IDOT Inlet Filter Specifications | | |
|----------------------------------------------------------------------|-------------|--------------------------------------------------------------|
| Material Property | Test Method | Value (min ave) |
| > NonWoven Geotextile Inner Filter Bag Specs (24" min wvl) | | |
| Grab Tensile | ASTM D 4632 | 100lbs |
| Puncture Strength | ASTM D 4833 | 65lbs |
| Trapezoidal Tear | ASTM D 4533 | 45 lbs |
| UV Resistance | ASTM D 4355 | 70% at 500 hrs |
| App Open Size (AOS) | ASTM D 4751 | 70 sieve (2.12mm) |
| Permeability | ASTM D 4491 | 2.0/sec |
| Water Flow Rate | ASTM D 4491 | 145 gpm/soft |
| > Polyester Outer Reinforcement Bag Specifications | | |
| Weight | ASTM D 3776 | 4.55 oz/sqyd +/- 15% |
| Thickness | ASTM D 1777 | 0.04 +/- .005 |
| > Frame Construction | | |
| A36 Structural Steel; 11 Gauge; | ASTM A 576 | Tensile Strength > 58,000 psi Yield Strength > 36,000 psi |

INSTALLATION:
 1.) REMOVE GRATE.
 2.) DROP FLEXSTORM INLET FILTER ONTO LOAD BEARING UP OF CASTING OR CONCRETE STRUCTURE.
 3.) REPLACE GRATE.



- NOTES FOR SILT FENCE**
1. MAINTENANCE SHALL BE PERFORMED AS NEEDED AND MATERIAL SHALL BE REMOVED WHEN BULGES DEVELOP IN THE SILT FENCE.
 2. FILTER CLOTH SHALL BE FILTER X, MARI-100K, STABILINKA T140K, OR EQUAL.
 3. PREFABRICATED UNIT SHALL BE GEOTEX, ENVIROFENCE, OR EQUAL.

SILT FENCE INSTALLATION
NOT TO SCALE



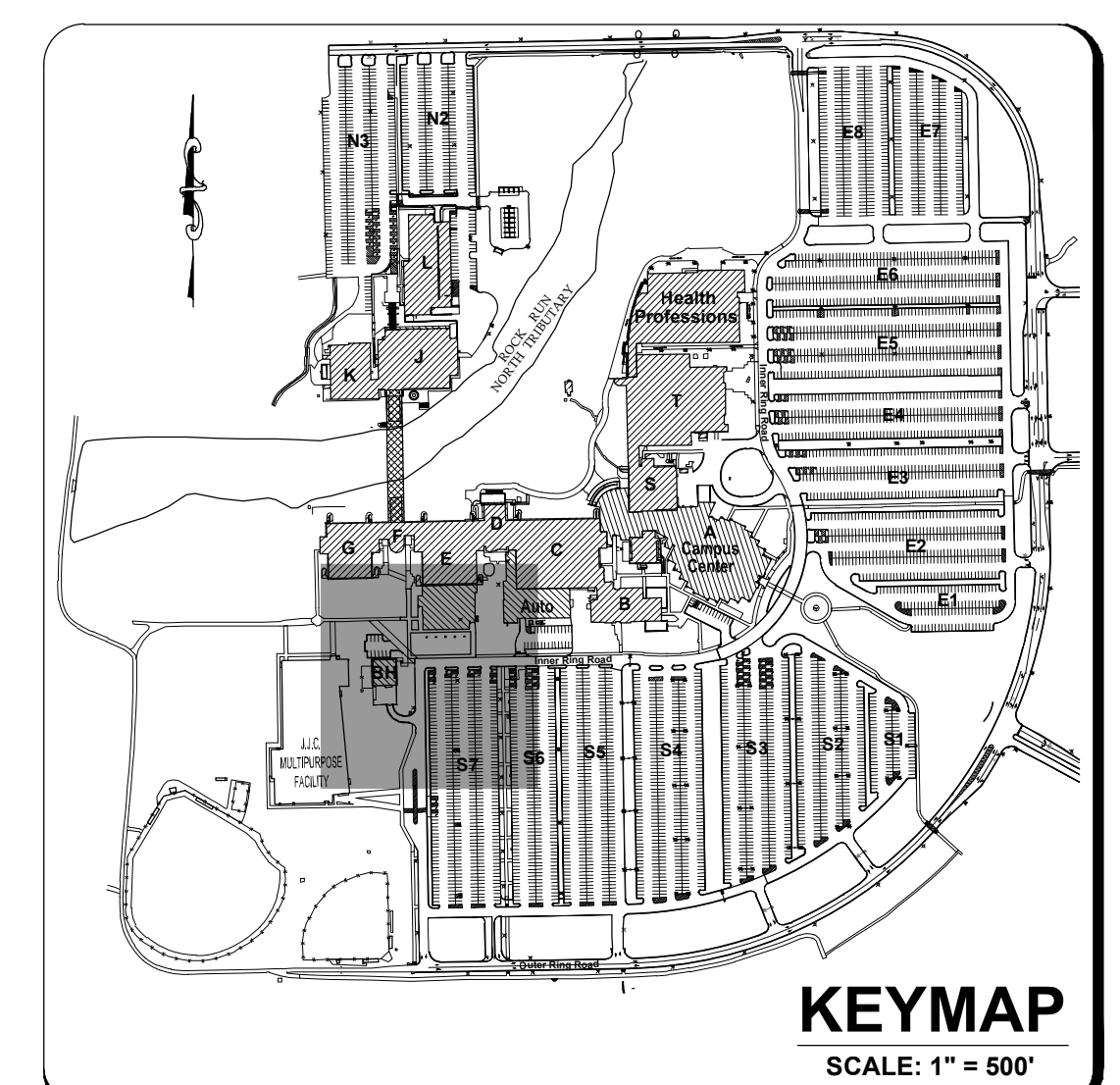
SITE BENCHMARK 1:
 HEAD BOLT ON FIRE HYDRANT THAT ARROW POINTS TO LOCATED APPROXIMATELY 740' SOUTH OF MAIN CAMPUS EXT ROAD ONTO HOUBOLT ROAD.
 ELEVATION = 607.75 (NAVD 88)

SITE BENCHMARK 2:
 CUT GROSS TOP OF CONCRETE PAD BY ELECTRIC PANELS LOCATED TO THE EAST OF THE BASEBALL FIELD PRESS BOX.
 ELEVATION = 564.18 (NAVD 88)

FIELD VERIFY BENCHMARKS.

EROSION CONTROL NOTES

1. EROSION CONTROL TO BE APPLIED PER THE ILLINOIS PROCEDURES FOR URBAN SOIL EROSION AND SEDIMENTATION CONTROL MANUAL, LATEST EDITION.
 2. THE TEMPORARY EROSION CONTROL SYSTEMS INSTALLED BY THE CONTRACTOR SHALL BE PROPERLY MAINTAINED AS DIRECTED BY THE CITY TO CONTROL SILTATION AT ALL TIMES DURING THE LIFE OF THE CONTRACT.
 3. ALL STORM SEWER STRUCTURES WITH OPEN GRATES SHALL BE PROTECTED WITH INLET FILTER BASKETS.
 4. DISTURBED AREAS SHALL BE STABILIZED WITH TEMPORARY OR PERMANENT MEASURES WITHIN (7) SEVEN CALENDAR DAYS FOLLOWING THE END OF ACTIVE DISTURBANCE, RE-DISTURBANCE, CONSISTENT WITH THE FOLLOWING CRITERIA: APPROPRIATE TEMPORARY OR PERMANENT STABILIZATION MEASURES SHALL INCLUDE SEEDING, MULCHING, SOILING AND / OR NON-VEGETATIVE MEASURES.
 5. ALL EROSION CONTROL ITEMS REMAIN IN PLACE AND BE MAINTAINED UNTIL DEEMED UNNECESSARY BY THE OWNER / DEVELOPER AND THE CITY AT WHICH TIME THE EROSION CONTROL ITEMS SHALL BE COMPLETELY REMOVED FROM THE SITE BY THE INSTALLER.
 6. ALL DISTURBED AREAS NOT SPECIFICALLY IDENTIFIED FOR LANDSCAPING IMPROVEMENTS OR IMPERVIOUS SURFACE TREATMENTS SUCH AS PAVEMENTS, DRIVES, PATIOS, STOPS, SIDEWALKS OR WALKWAYS SHALL BE FINISHED WITH A MINIMUM OF 6" OF TOPSOIL AND RESTORED IN ACCORDANCE WITH THE ILLINOIS DEPARTMENT OF TRANSPORTATION'S STANDARD SPECIFICATIONS FOR ROAD AND BRIDGE CONSTRUCTION (LATEST ADDITION) AS FOLLOWS:
 - CLASS 2 SEED PER SECTION 250.
 - FERTILIZED NUTRIENTS IN THE RATIO OF 1:1:1 OF NITROGEN, PHOSPHOROUS AND POTASSIUM EACH, ALL AT THE RATE OF 90 LBS/ACRE IN ACCORDANCE WITH SECTION 250.
 - EROSION CONTROL BLANKET: EXCELSIOR GREEN BLANKET (I.D.O.T. SEC. 251.04)
 7. FOR EACH PHASE OF WORK, THE CONTRACTOR RESPONSIBLE FOR THAT WORK IS TO PROVIDE QUALIFIED PERSONNEL WHO SHALL INSPECT:
 - DISTURBED AREAS OF THE CONSTRUCTION SITE WHICH HAVE NOT BEEN STABILIZED WITH IMPERVIOUS MATERIALS OR VEGETATIVE GROUND COVER.
 - STRUCTURAL CONTROL MEASURES (I.E. SILT FENCE, FILTER BASKETS, GRATE FABRIC, ETC.).
 - OFF SITE ROADS AND ON SITE PAVEMENTS WHICH THE CONTRACTOR'S VEHICLES AND OR EQUIPMENT OPERATE.
- SUCH INSPECTIONS SHALL BE CONDUCTED AT LEAST ONCE EVERY SEVEN (7) CALENDAR DAYS AND WITHIN 24 HOURS OF THE END OF A STORM EVENT THAT HAS 0.5 INCHES OR MORE OF PRECIPITATION.
- ALL INSPECTIONS SHALL BE IN CONFORMANCE WITH THE STORM WATER POLLUTION PREVENTION PLAN INSPECTION REQUIREMENTS.



KEYMAP
SCALE: 1" = 500'

| REVISIONS | | | |
|-----------|-----------|---------------------|------|
| No. | DATE | DESCRIPTION | BY |
| 0 | 1-19-2016 | RELEASED FOR REVIEW | R.P. |
| 1 | 2-3-2016 | ISSUED FOR BID | R.P. |

DOCUMENTATION:
 PROJECT No.: 20150856.00
 DATE: 11-20-2015
 FIELD BOOK: JJC
 DRAWN BY: R.P.
 CHECKED BY: J.H.

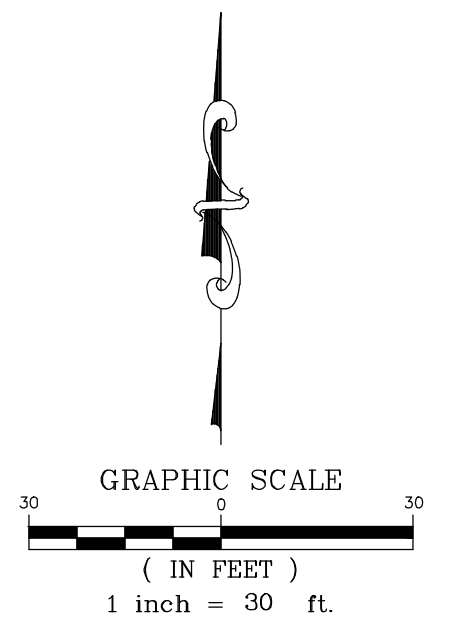
RT & A
Ruettiger, Tonelli & Associates, Inc.
 Surveyors • Engineers • Planners • Landscape Architects • G.I.S. Consultants
 129 CAPISTA DRIVE - SHOREWOOD, ILLINOIS 60404
 PH. (815) 744-6600 FAX (815) 744-0101
 website: www.ruettigertonelli.com

PROJECT TITLE:
PARKING LOT S7 IMPROVEMENT PLANS
 JOLIET JUNIOR COLLEGE
 1215 HOUBOLT DRIVE
 JOLIET, ILLINOIS 60431

DRAWING TITLE:
ISSUED FOR BID PROPOSED EROSION CONTROL PLAN (1 OF 2)

DRAWING No.
 315-0856-C1
 SCALE: AS NOTED
SHEET C5.1

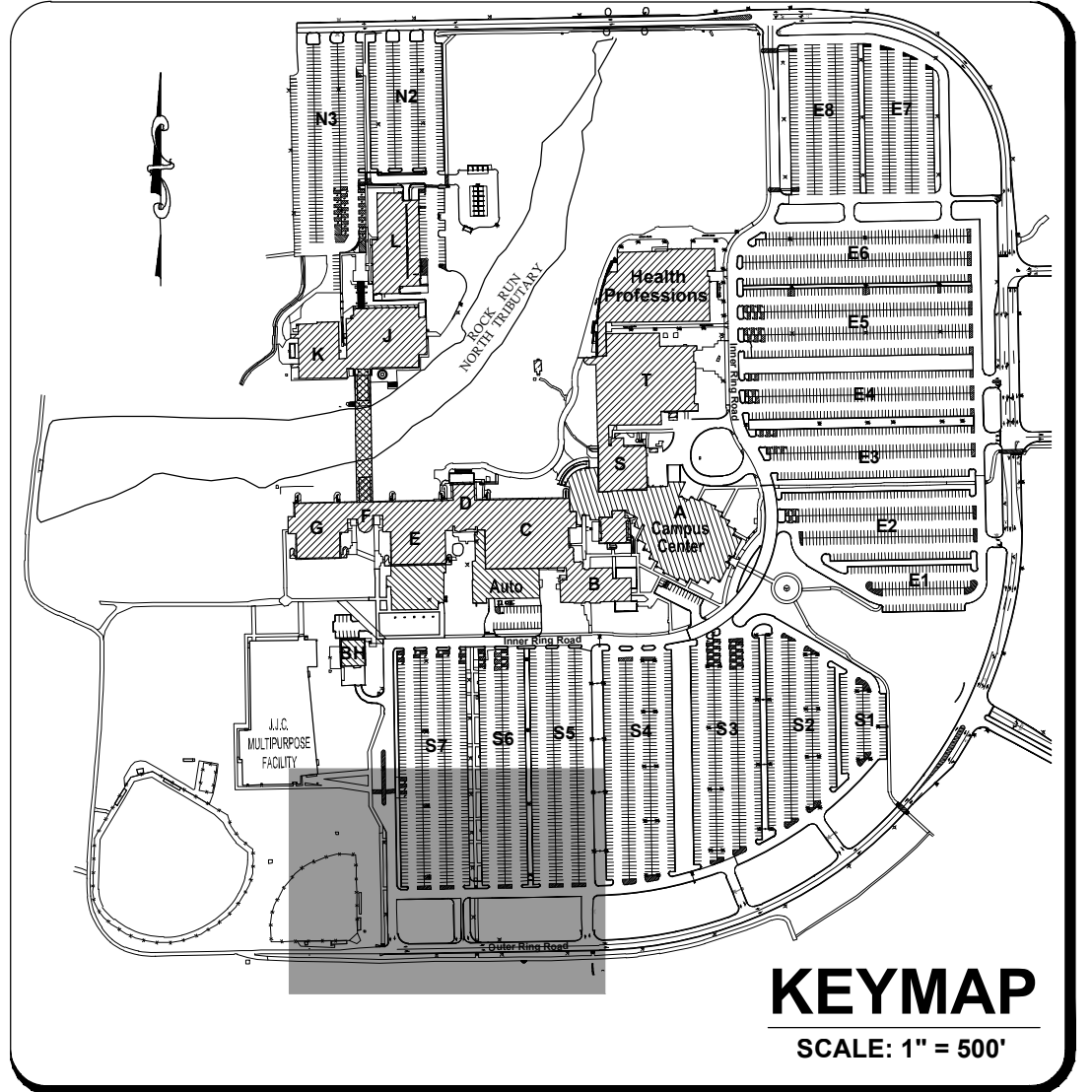
MATCHLINE A-A (SEE SHEET C5.1 FOR CONTINUATION)



SITE BENCHMARK 1:
HEAD BOLT ON FIRE HYDRANT THAT ARROW POINTS TO, LOCATED APPROXIMATELY 740' SOUTH OF MAIN CAMPUS EXT ROAD ONTO HOUBOLT ROAD.
ELEVATION = 607.75 (NAVD 88)

SITE BENCHMARK 2:
CUT CROSS TOP OF CONCRETE PAD BY ELECTRIC PANELS LOCATED TO THE EAST OF THE BASEBALL FIELD PRESS BOX.
ELEVATION = 564.18 (NAVD 88)

FIELD VERIFY BENCHMARKS



KEYMAP
SCALE: 1" = 500'

REVISIONS

| No. | DATE | DESCRIPTION | BY |
|-----|-----------|---------------------|------|
| 0 | 1-19-2016 | RELEASED FOR REVIEW | R.P. |
| 1 | 2-3-2016 | ISSUED FOR BID | R.P. |

DOCUMENTATION:
PROJECT No.: 20150856.00
DATE: 11-20-2015
FIELD BOOK: JUC
DRAWN BY: R.P.
CHECKED BY: J.H.



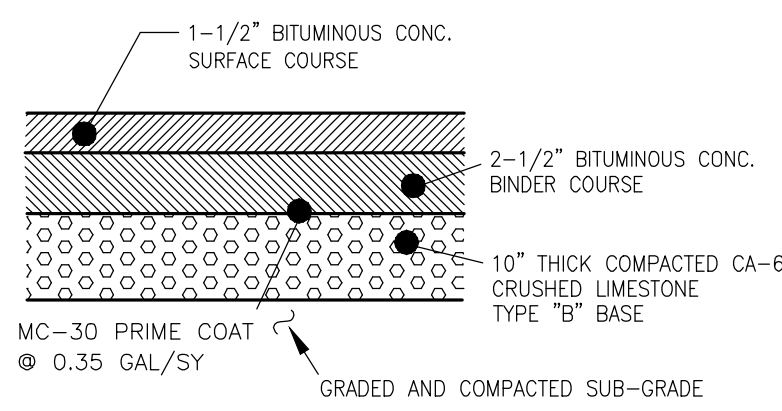
Ruettiger, Tonelli & Associates, Inc.
Surveyors • Engineers • Planners • Landscape Architects • G.I.S. Consultants
129 CAPISTA DRIVE - SHOREWOOD, ILLINOIS 60404
PH. (815) 744-6600 FAX (815) 744-0101
website: www.ruettigertonnelli.com

PROJECT TITLE:
PARKING LOT S7 IMPROVEMENT PLANS
JOLIET JUNIOR COLLEGE
1215 HOUBOLT DRIVE
JOLIET, ILLINOIS 60431

DRAWING TITLE:
ISSUED FOR BID PROPOSED EROSION CONTROL PLAN (2 OF 2)

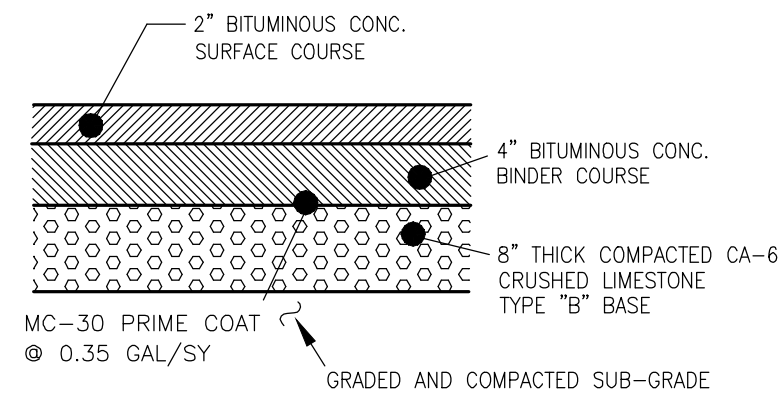
DRAWING No.: 315-0856-C1
SCALE: AS NOTED
SHEET C5.2

N:\2015\0856\Engineering\Plan_Sheet\CT - Proposed Erosion Control Plan 02 Aug Layout, 2016 10:18:07 AM.dwg



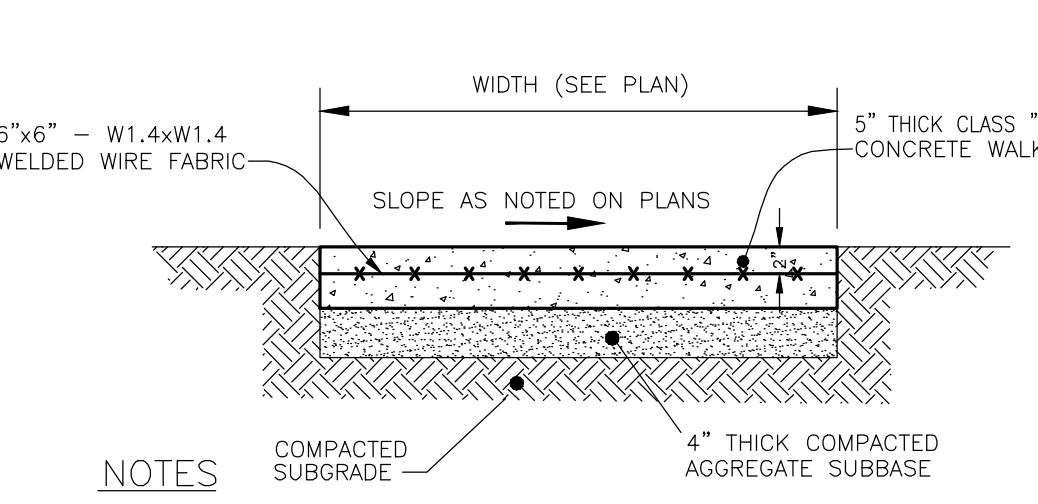
NOTES:
1.) ALL EXISTING FILL AND BASE MATERIALS TO BE RE-USED MUST BE TESTED AND COMPACTED AS REQUIRED TO MEET MINIMUM REQUIREMENTS.

TYPE "A" PAVEMENT SECTION
NOT TO SCALE



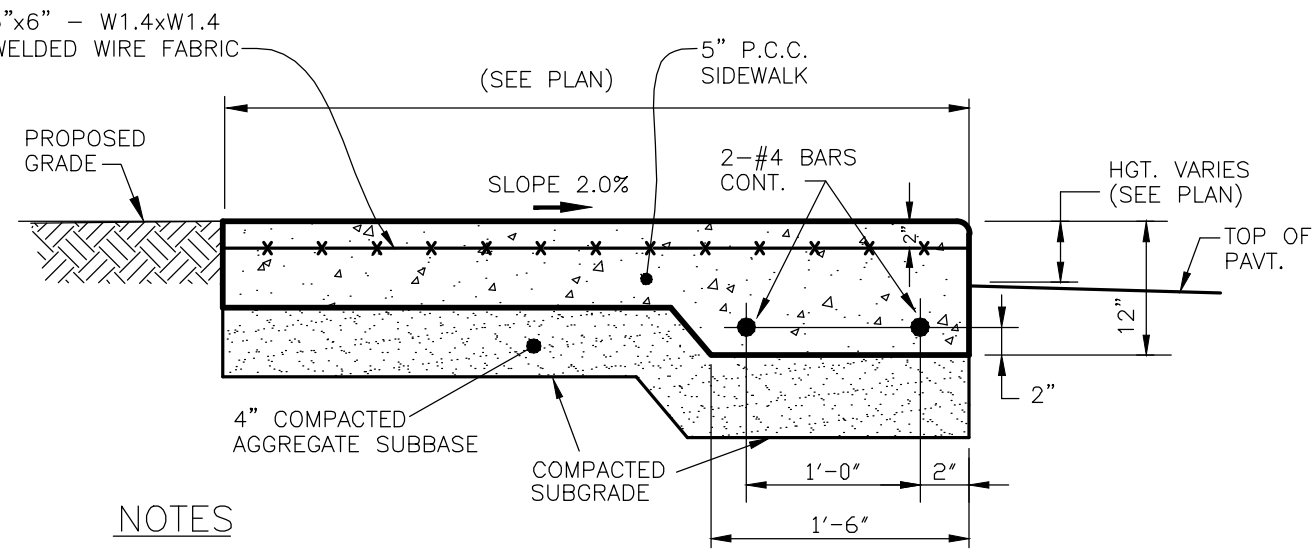
NOTES:
1.) ALL EXISTING FILL AND BASE MATERIALS TO BE RE-USED MUST BE TESTED AND COMPACTED AS REQUIRED TO MEET MINIMUM REQUIREMENTS.

TYPE "B" PAVEMENT SECTION
NOT TO SCALE



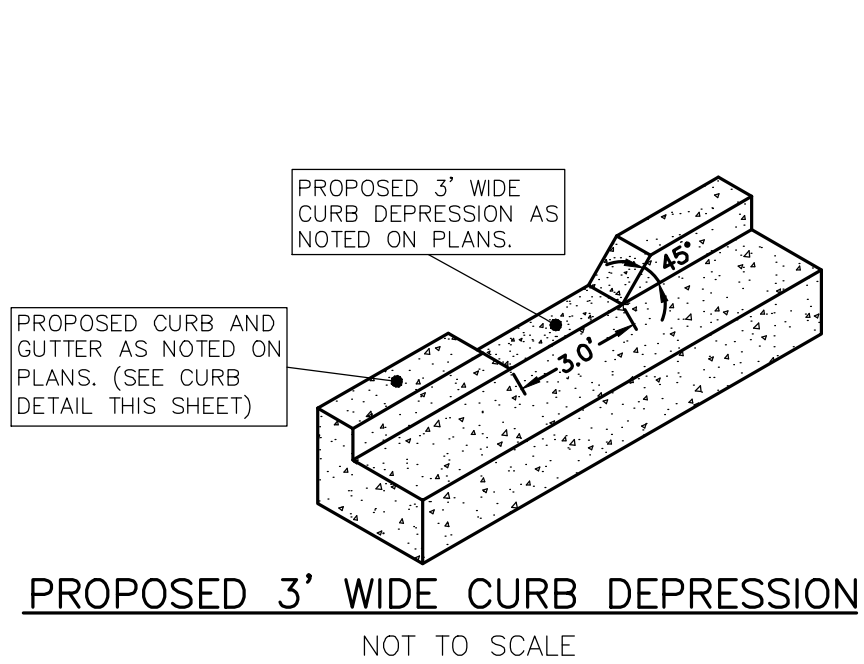
NOTES:
1. ALL SIDEWALK JOINTING FINISHES TO BE COORDINATED WITH SHEET AS1.00
2. ASPHALTIC FELT EXPANSION JOINTS SHALL BE PROVIDED 20'-0" ON CENTER, WITH 1/2" DEEP CONTROL (FALSE) JOINTS AS NOTED ON ARCHITECTURAL SITE PLAN CONCRETE SCORING PATTERN. ALL JOINTS SHALL BE SAWCUT AND TOOLED.

TYPICAL P.C.C. SIDEWALK & SPILLWAY
NOT TO SCALE



NOTES:
1. ALL SIDEWALK JOINTING FINISHES TO BE COORDINATED WITH SHEET AS1.00
2. SURFACE TO BE A LIGHT BROOM FINISH AT RIGHT ANGLES TO THE EDGES OF THE SIDEWALK.
3. ASPHALTIC FELT EXPANSION JOINTS SHALL BE PROVIDED 20'-0" ON CENTER, WITH 1/2" DEEP CONTROL (FALSE) JOINTS AS NOTED ON ARCHITECTURAL SITE PLAN CONCRETE SCORING PATTERN. ALL JOINTS SHALL BE SAWCUT AND TOOLED.

P.C.C. BARRIER SIDEWALK
NOT TO SCALE



PROPOSED 3' WIDE CURB DEPRESSION
NOT TO SCALE

- GENERAL NOTES:**
- UNLESS OTHERWISE NOTED; ALL DIMENSIONS, STATIONING, AND GRADES SHOWN ARE REFERENCED TO THE BACK OF, AND THEREFORE THE TOP OF THE CURBLINE.
 - ALL NEW CONSTRUCTION SHALL BE DONE IN ACCORDANCE WITH "STANDARD SPECIFICATIONS FOR WATER AND SEWER MAIN CONSTRUCTION IN ILLINOIS" LATEST EDITION; AND "STANDARD SPECIFICATIONS FOR ROAD AND BRIDGE CONSTRUCTION" - ILLINOIS DEPARTMENT OF TRANSPORTATION, LATEST EDITION.
 - THE OWNER AND/OR CONTRACTOR ARE REQUIRED TO FILE A NOTICE OF INTENT (NOI) WITH THE ILLINOIS ENVIRONMENTAL PROTECTION AGENCY (IEPA) RELATIVE TO STORM WATER DISCHARGE QUALITY, AND OBTAIN A GENERAL PERMIT 18-10 OR OTHER NATIONAL POLLUTANT ELIMINATION SYSTEM (NPDES) PERMIT AS MAY BE REQUIRED PRIOR TO ANY SITE CONSTRUCTION.
 - ALL WORK SHALL BE SUBJECT TO INSPECTION AND APPROVAL BY THE CONSTRUCTION MANAGER.
 - UNLESS NOTED OTHERWISE, ANY UNDERGROUND SEWER OR DRAIN TILE SHALL REMAIN IN OPERATION, AND IF DAMAGED SHALL BE REPAIRED TO EXISTING OR BETTER CONDITION. THE OWNER OF THE TILE AND THE CONSTRUCTION MANAGER SHALL BE NOTIFIED BEFORE TRENCH IS BACKFILLED.
 - CONTRACTOR SHALL FIELD VERIFY EXISTING CONDITIONS AND NOTIFY THE OWNER, CONSTRUCTION MANAGER AND ENGINEER IF THERE IS ANY DISCREPANCY BETWEEN THE PLANS AND EXISTING CONDITIONS PRIOR TO PROCEEDING WITH ANY STAGE OF CONSTRUCTION OF PROPOSED IMPROVEMENTS.
 - GRANULAR BACKFILL TO BE CRUSHED LESTONITE CA-6.
 - ALL PROPOSED ROOF DRAINAGE SHALL BE DIRECTED TO THE PROPOSED STORM WATER MANAGEMENT SYSTEM. WHERE APPLICABLE, EXISTING ROOF DRAINS SHALL BE DIRECTED TO THE PROPOSED STORM WATER MANAGEMENT SYSTEM.
 - IT SHALL BE THE CONTRACTOR'S RESPONSIBILITY TO COMPLETELY REMOVE AND PROPERLY DISPOSE OF EXISTING STRUCTURES, DEBRIS, WASTES AND VEGETATION FROM THE SITE AS NOTED ON THE PLAN OR AS MAY BE REQUIRED TO PROPERLY COMPLETE HIS WORK. ALL DEBRIS AND SURPLUS MATERIALS REMOVED FROM THE SITE SHALL BE PROPERLY DISPOSED OF BY THE CONTRACTOR. NO ON-SITE BURNING OR BURIAL SHALL BE ALLOWED.
 - TRAFFIC CONTROL
ALL WORK CONDUCTED WITHIN ANY PUBLIC AREAS SHALL BE GOVERNED BY THE APPLICABLE ARTICLES OF THE LATEST EDITION OF THE STANDARD SPECIFICATIONS FOR ROAD AND BRIDGE CONSTRUCTION AND THE LATEST EDITION OF THE "ILLINOIS MANUAL ON UNIFORM TRAFFIC CONTROL DEVICES FOR STREETS AND HIGHWAYS". WORK SHALL INCLUDE FURNISHING, INSTALLING, MAINTAINING, RELOCATING AND REMOVING ALL TRAFFIC CONTROL DEVICES USED FOR THE PURPOSE OF REGULATING, WARNING OR DIRECTING TRAFFIC DURING THE CONSTRUCTION OF ANY IMPROVEMENTS, LOADING AND UNLOADING OF MATERIALS, MOBILIZATION OF EQUIPMENT, CLEANING OF PAVEMENTS, OR WHENEVER THE SAFETY OF WORKERS OR TRAFFIC MAY BE AN ISSUE.

TRAFFIC CONTROL DEVICES INCLUDE: SIGNS AND THEIR SUPPORTS, SIGNALS, PAVEMENT MARKINGS, BARRICADES WITH SAND BAGS, CHANNELING DEVICES, WARNING LIGHTS, ARROW BOARDS, FLAGS, OR ANY OTHER DEVICE USED FOR THE PURPOSE OF REGULATING, WARNING OR GUIDING TRAFFIC THROUGH THE CONSTRUCTION ZONE. THE CONTRACTOR SHALL BE RESPONSIBLE FOR THE PROPER LOCATION, INSTALLATION, AND ARRANGEMENT OF ALL TRAFFIC. ANY DROP OFF GREATER THAN TWO INCHES WITHIN EIGHT FEET OF THE PAVEMENT EDGE SHALL BE PROTECTED BY TYPE I OR II BARRICADES WITH IDOT APPROVED WARNING LIGHTS.

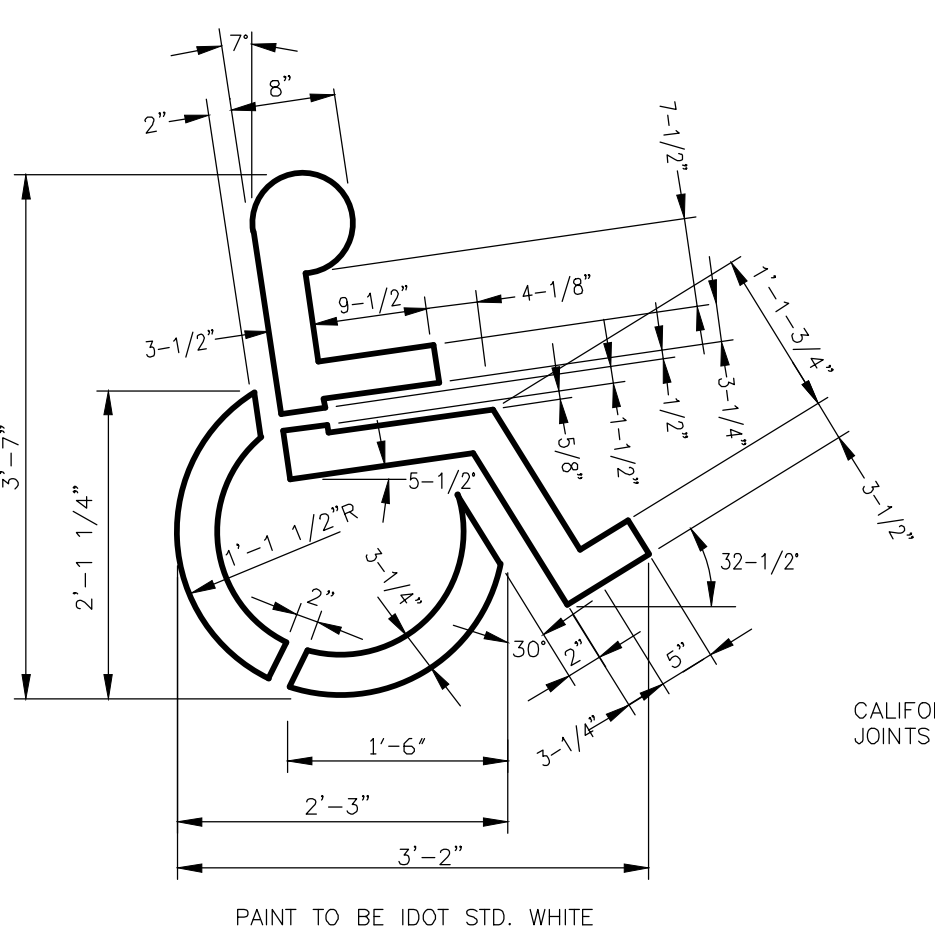
TRAFFIC CONTROL DEVICES AND MEASURES SHALL BE SUBJECT TO APPROVAL AND INSPECTION BY CONSTRUCTION MANAGER.



ILLINOIS STANDARD R7-1101 TO BE MOUNTED BELOW R7-8 SIGN

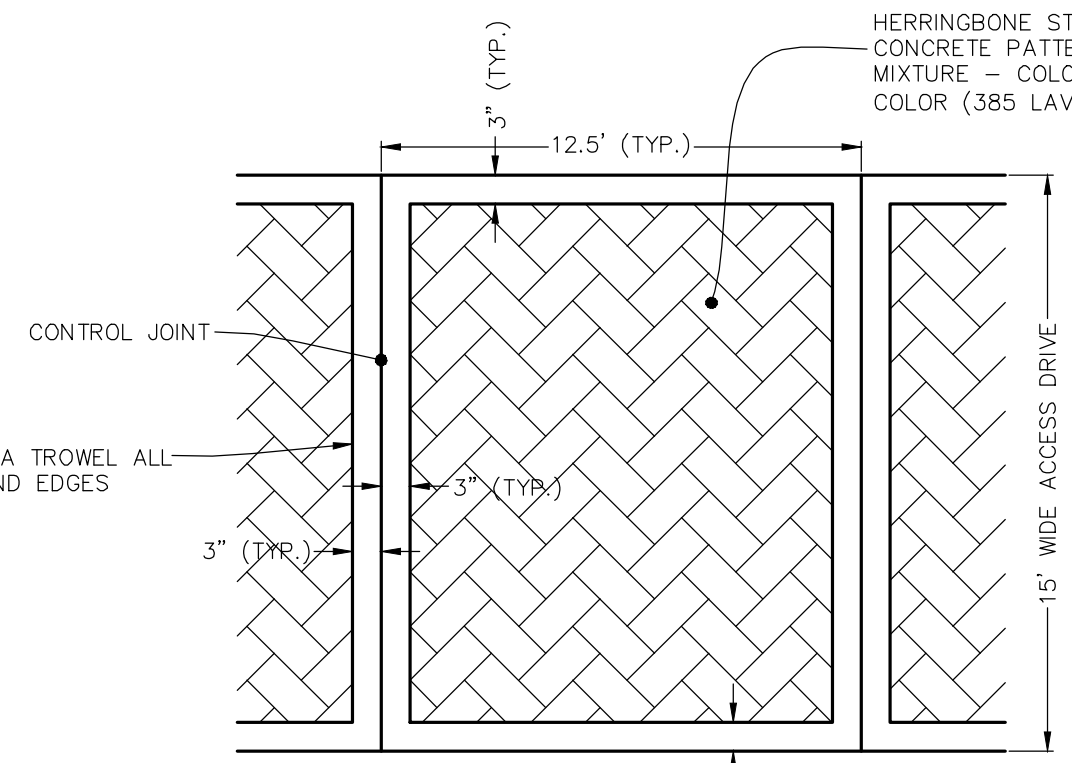
- NOTE:
1. SIGNS SHALL MEET ALL OF THE REQUIREMENTS OF THE ILLINOIS ADMINISTRATIVE CODE, LATEST ISSUE FOR HANDICAPPED PARKING SIGNS
2. FINE IMPOSED MAY BE HIGHER IF REQUIRED BY JOLIET JUNIOR COLLEGE.
3. JOLIET JUNIOR COLLEGE HANDICAP SIGN ALUMINUM BLANK WITH REFLECTIVE WHITE LETTERS ON BLUE BACKGROUND.

A.D.A. PARKING SIGN INSTALLATION VAN ACCESSIBLE
NOT TO SCALE



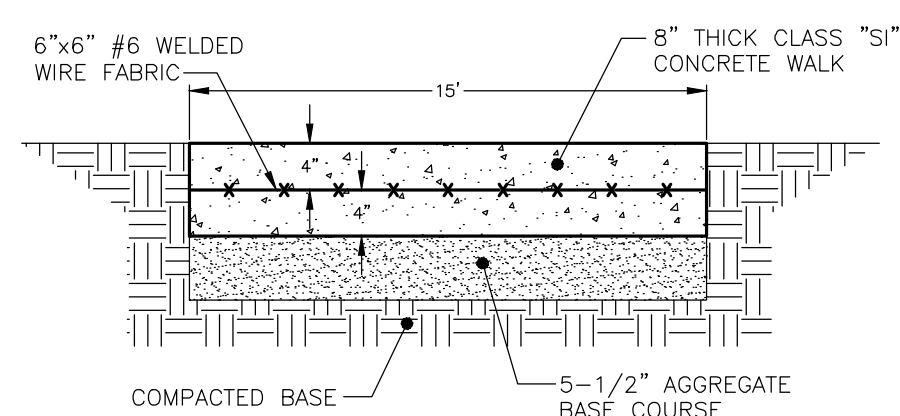
NOTE:
1.) A.D.A. PARKING SYMBOL SHALL BE PAINTED WHITE ON A BLUE 4 FOOT WIDE BY 5 FOOT HIGH BOX.

A.D.A. PARKING SYMBOL
NOT TO SCALE

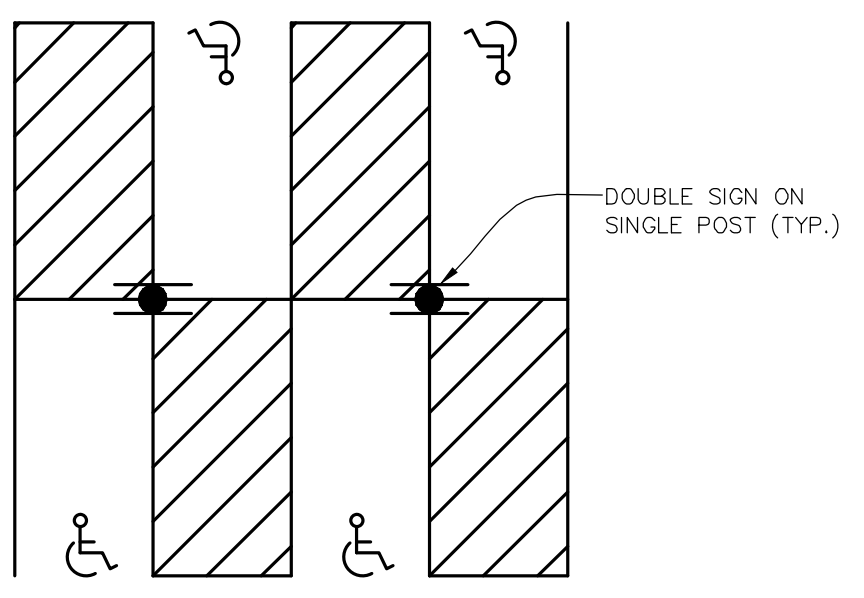


NOTE:
ASPHALTIC FELT EXPANSION JOINTS SHALL BE PROVIDED 25'-0" ON CENTER WITH 1/2" DEEP CONTROL (FALSE) JOINTS 12'-6" ON CENTER.

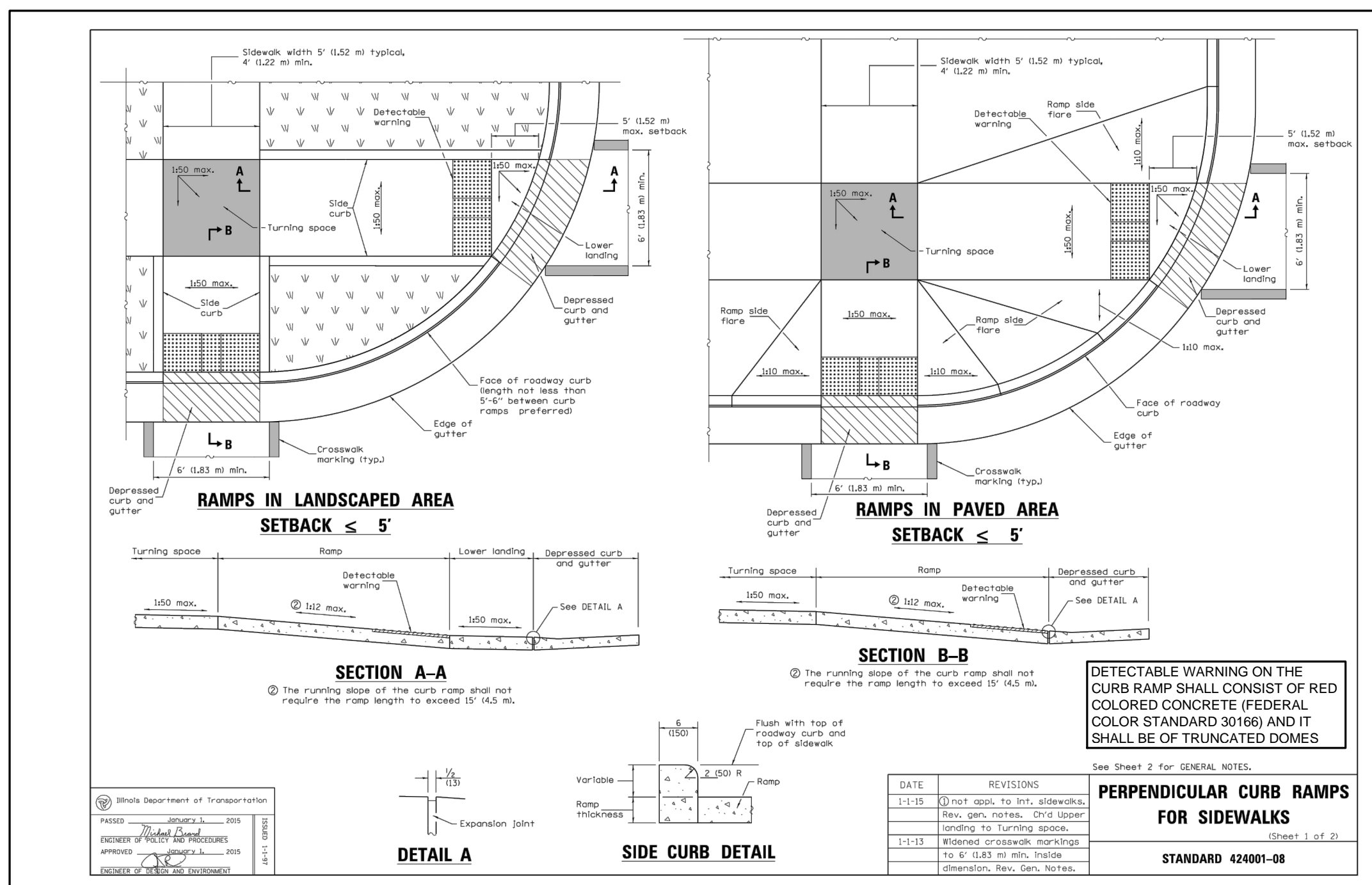
ACCESS DRIVE PAVING PATTERN DETAIL
NOT TO SCALE



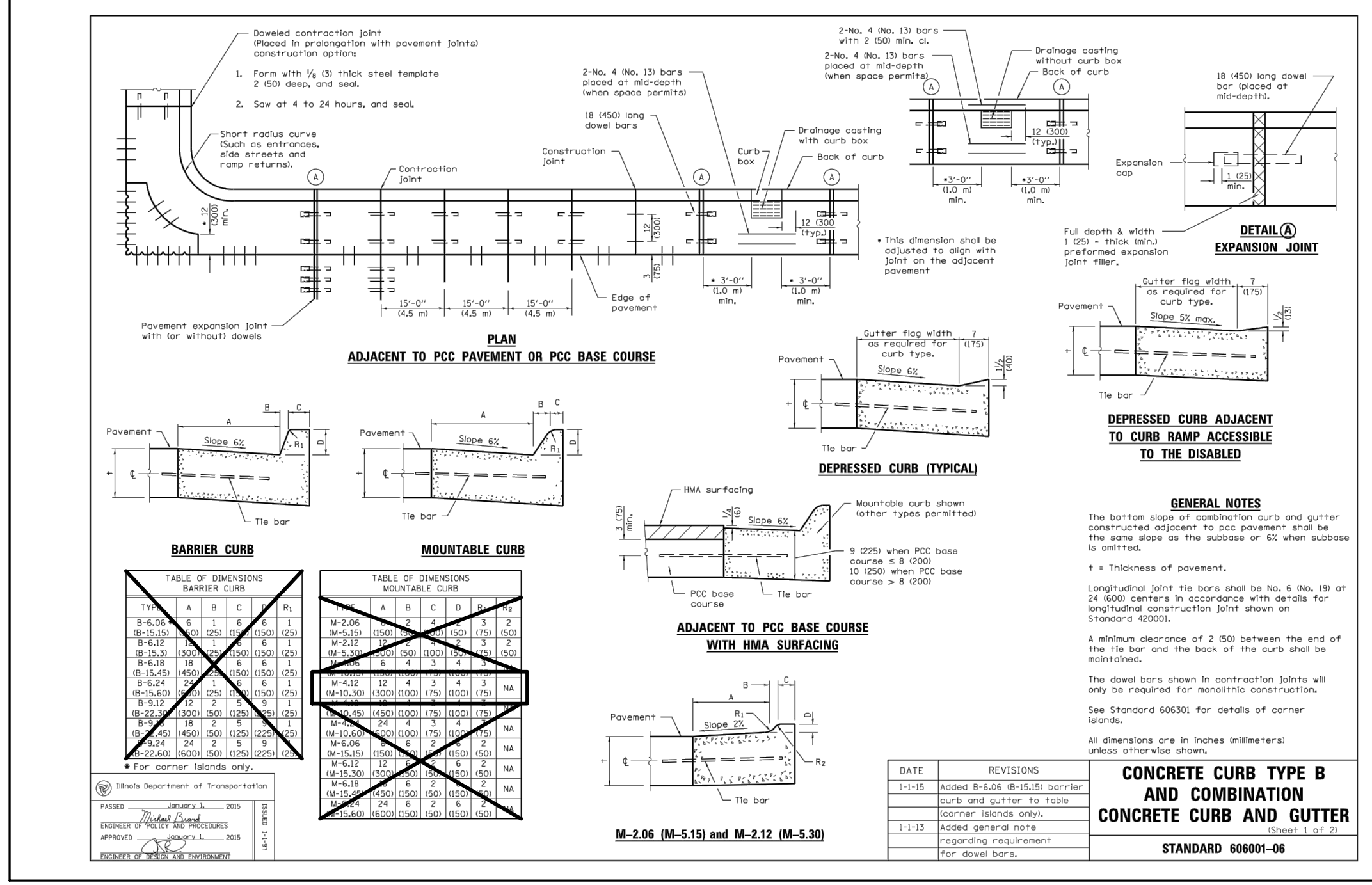
ACCESS DRIVE SECTION DETAIL
NOT TO SCALE



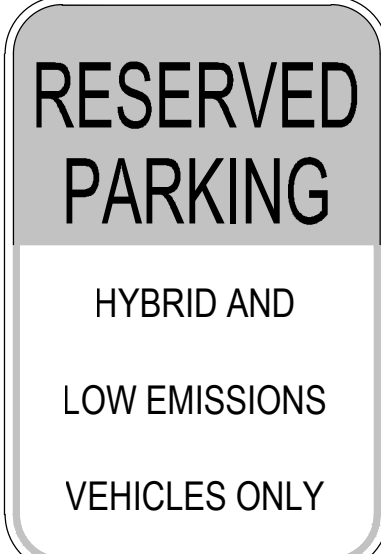
A.D.A. PARKING LAYOUT



RAMP IN LANDSCAPED AREA SETBACK ≤ 5'
RAMP IN PAVED AREA SETBACK ≤ 5'
PERPENDICULAR CURB RAMPS FOR SIDEWALKS
STANDARD 424001-08



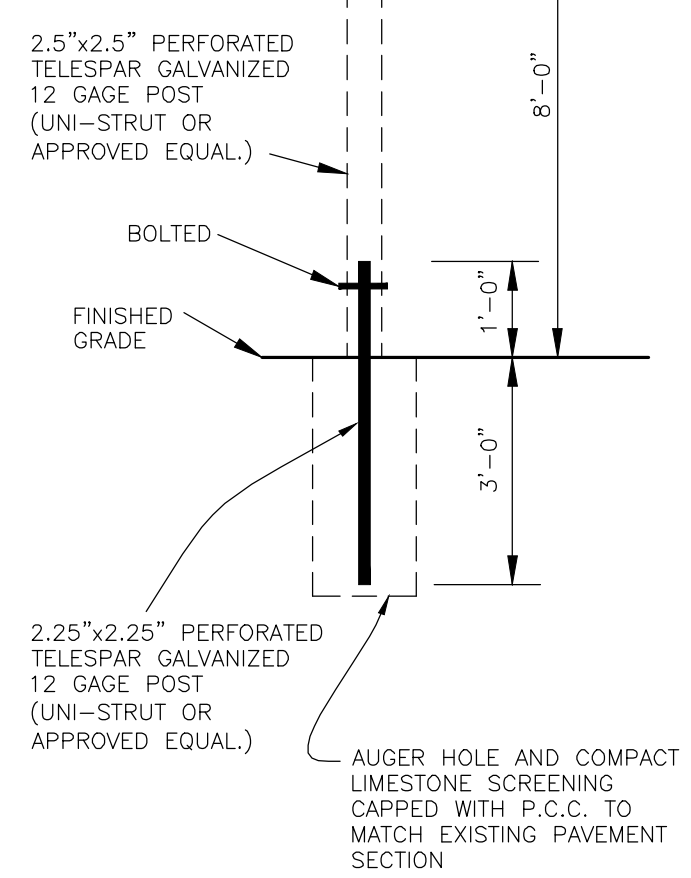
CONCRETE CURB TYPE B AND COMBINATION CONCRETE CURB AND GUTTER
STANDARD 606001-08



NOTE:
1. 12"x18" REFLECTIVE GREEN AND WHITE SIGN.

LOW EMISSIONS VEHICLE PARKING SIGN
NOT TO SCALE

Call Before You Dig
ILLINOIS ONE-CALL SYSTEM
CONTACT J.U.I.E. at 811 or 800-892-0123
48 Hours (2 Working Days) BEFORE YOU DIG.
Include the following:
County, City/Township, Section & 1/4 Section No.



NOTE: SIGN SHALL BE MOUNTED NO MORE THAN 5 FEET HORIZONTALLY FROM THE FRONT OF THE ACCESSIBLE PARKING SPACE.

TYPICAL SIGN INSTALLATION
NOT TO SCALE

REVISIONS

| No. | DATE | DESCRIPTION | BY |
|-----|-----------|---------------------|------|
| 0 | 1-19-2016 | RELEASED FOR REVIEW | R.P. |
| 1 | 2-3-2016 | ISSUED FOR BID | R.P. |

| No. | DATE | DESCRIPTION | BY |
|-----|------|-------------|----|
| | | | |
| | | | |

DOCUMENTATION:
PROJECT No.: 20150856.00
DATE: 11-20-2015
FIELD BOOK: JUC
DRAWN BY: R.P.
CHECKED BY: J.H.



Ruettiger, Tonelli & Associates, Inc.
Surveyors • Engineers • Planners • Landscape Architects • G.I.S. Consultants
129 CAPISTA DRIVE - SHOREWOOD, ILLINOIS 60404
PH. (815) 744-6600 FAX (815) 744-0101
website: www.ruettigertonnelli.com

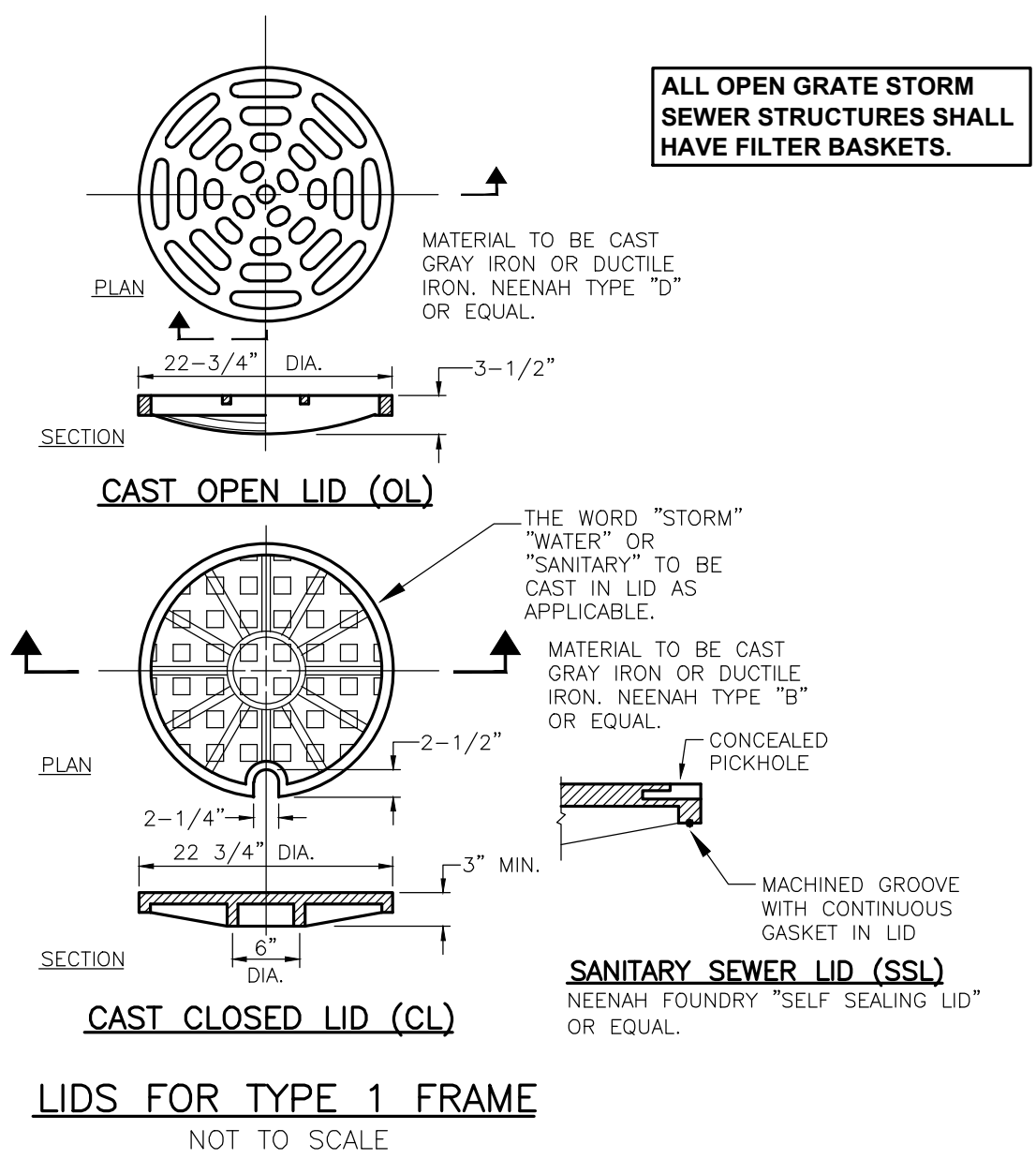
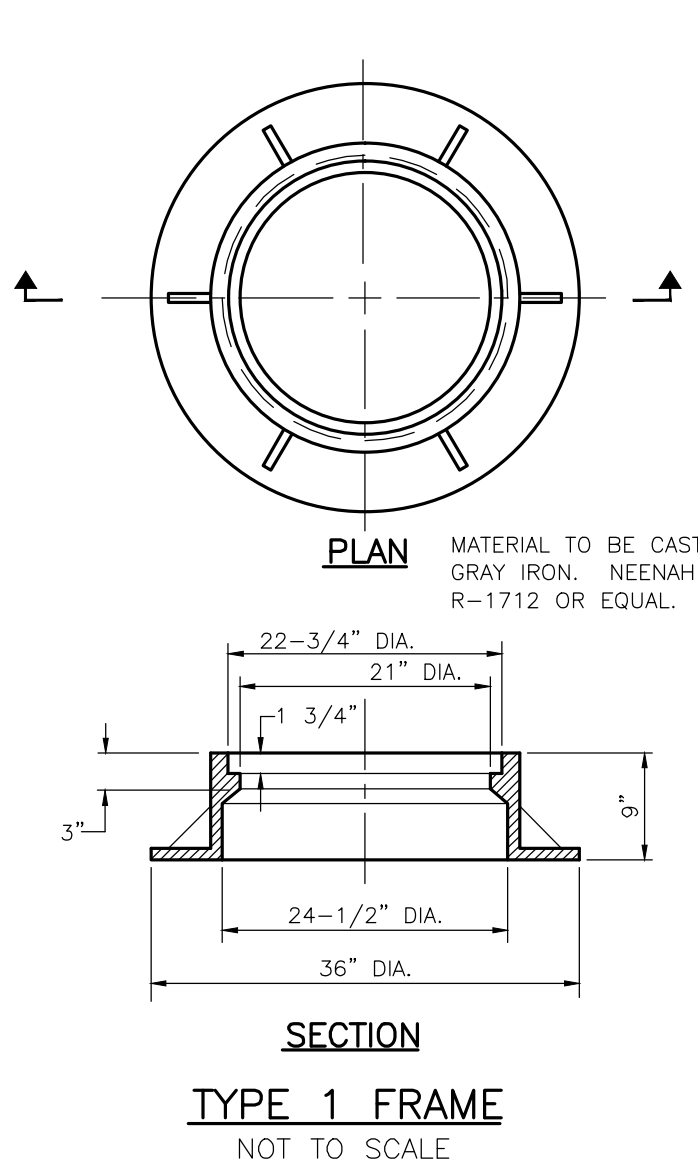
PROJECT TITLE:
PARKING LOT S7 IMPROVEMENT PLANS
JOLIET JUNIOR COLLEGE
1215 HOOBOLT DRIVE
JOLIET, ILLINOIS 60431

DRAWING TITLE:
ISSUED FOR BID GENERAL NOTES AND CONSTRUCTION DETAILS (1 OF 2)

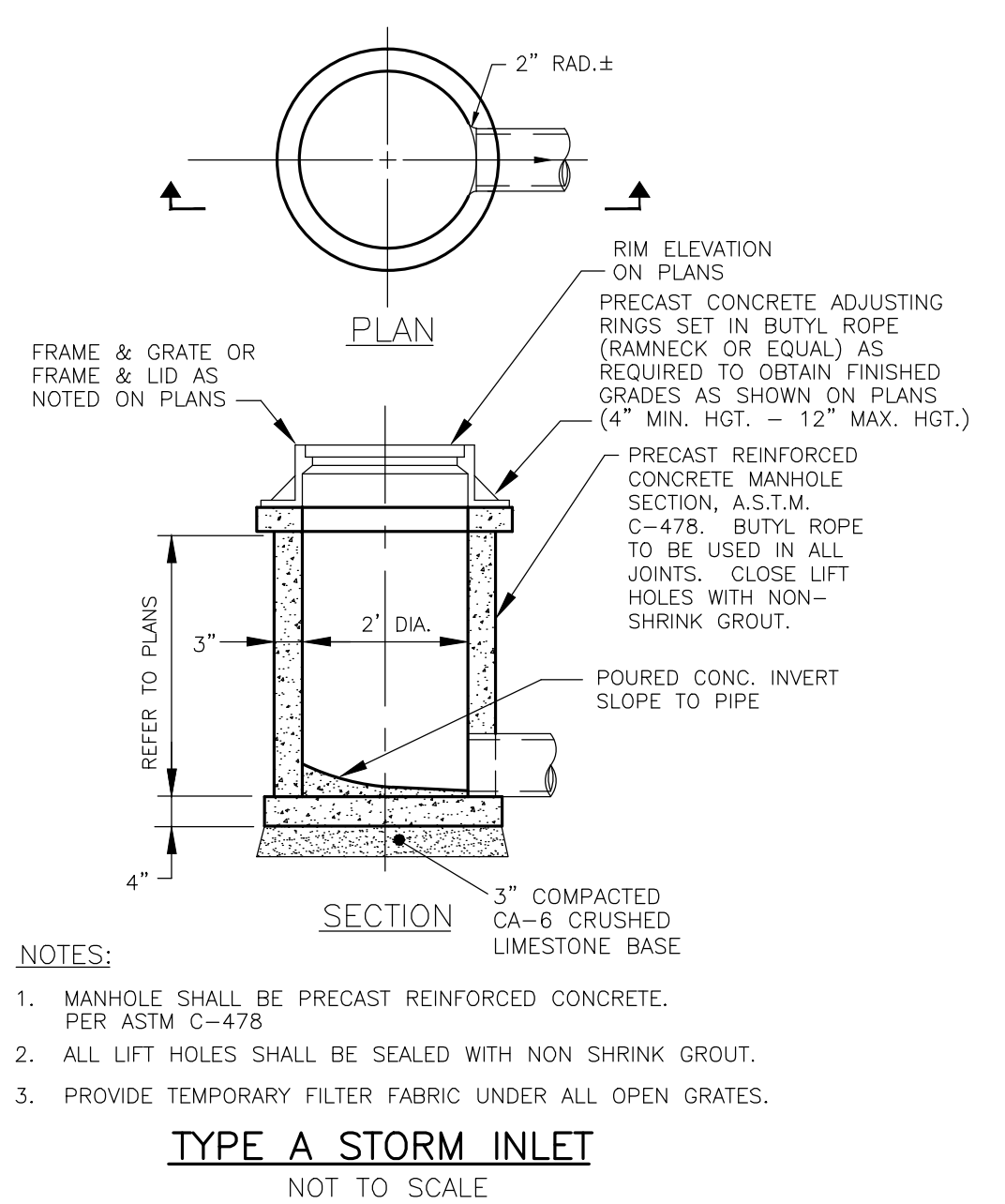
DRAWING No.
315-0856-C1

SCALE:
AS NOTED

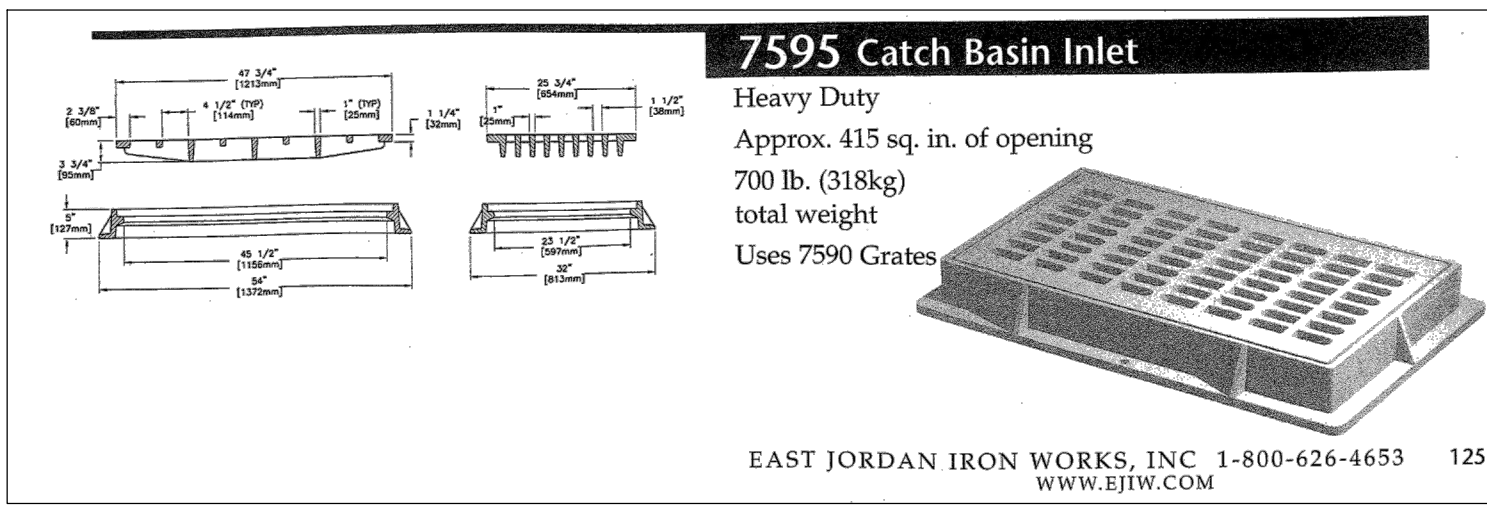
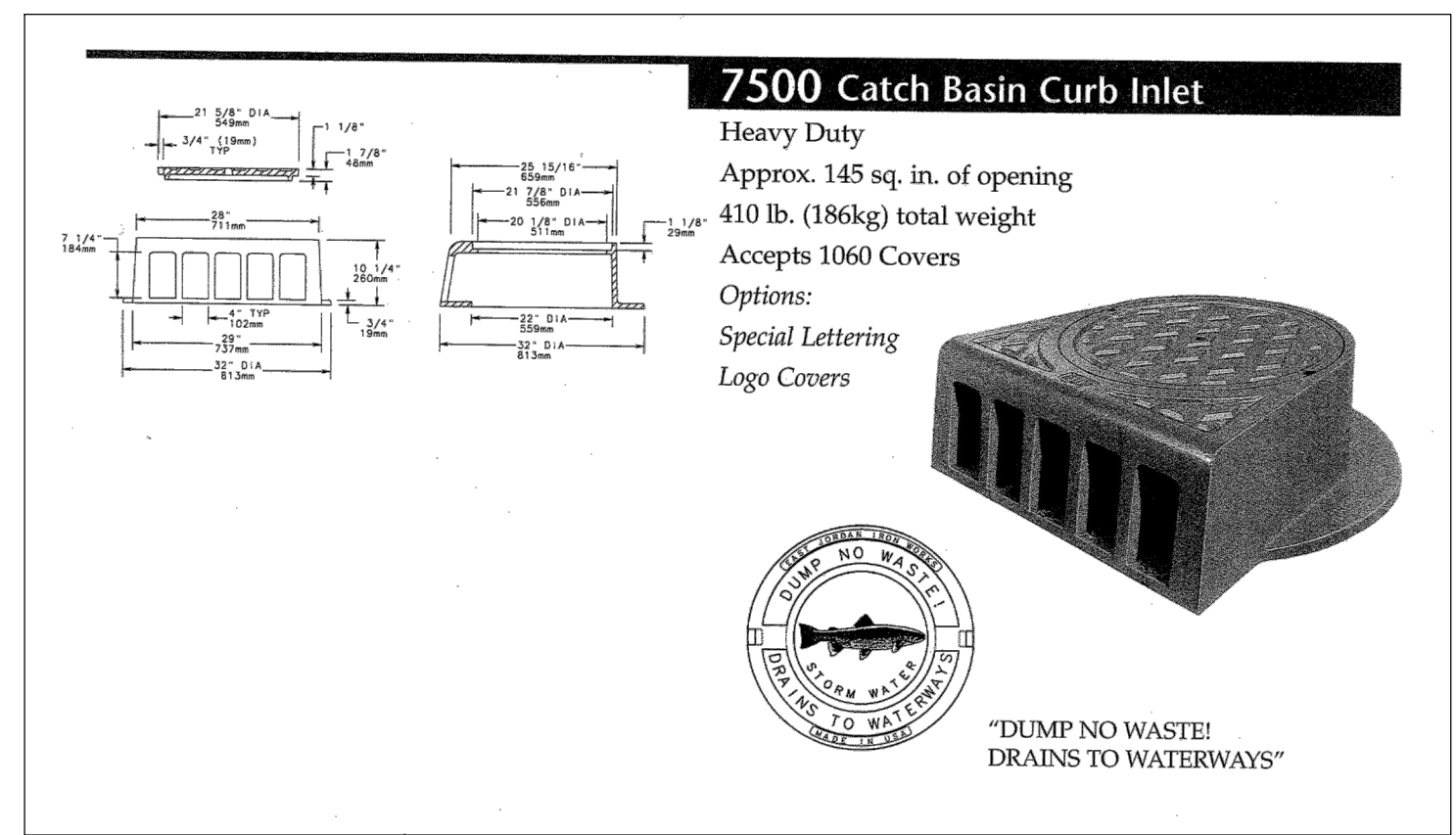
SHEET C6.1



ALL OPEN GRATE STORM SEWER STRUCTURES SHALL HAVE FILTER BASKETS.



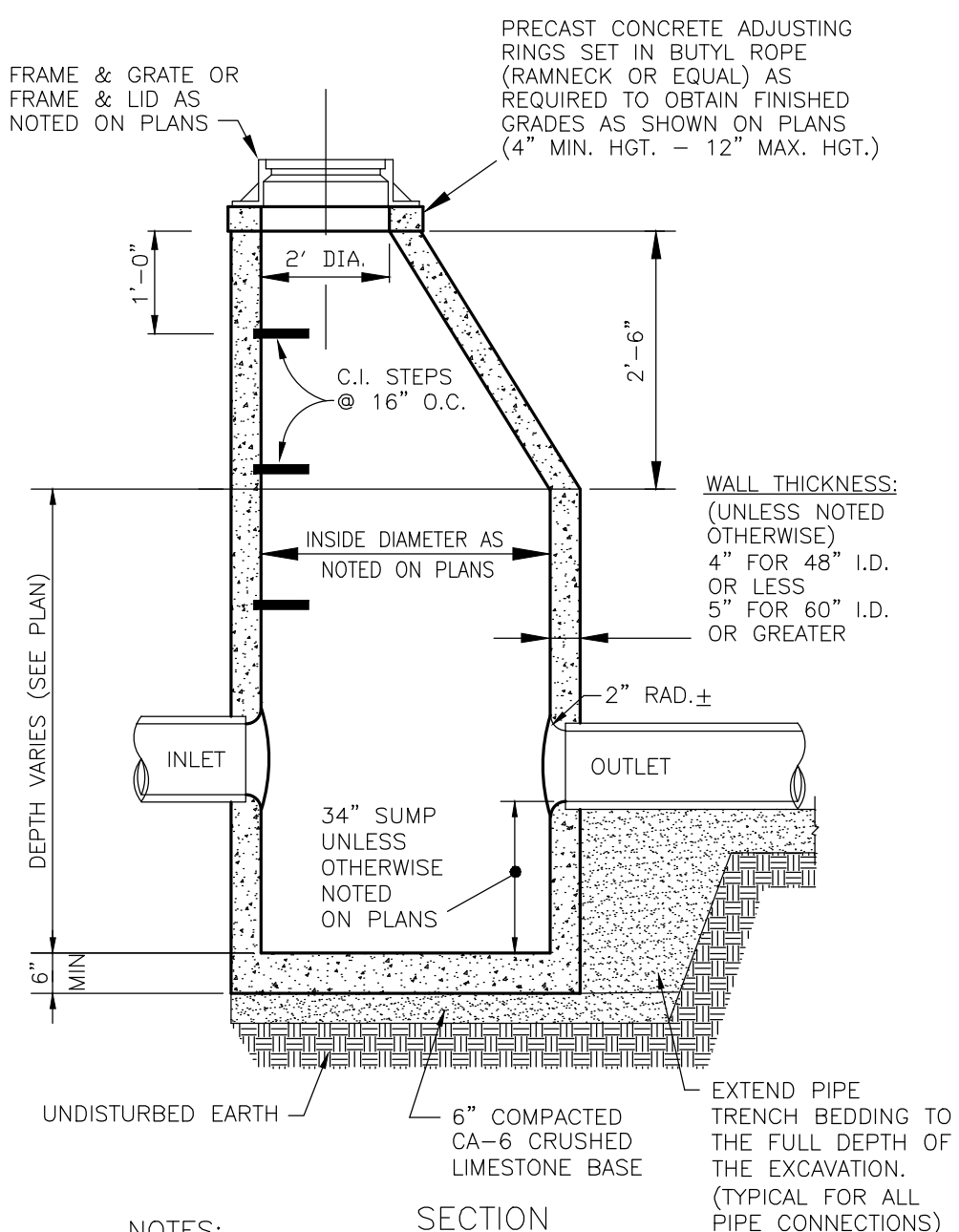
- NOTES:**
- MANHOLE SHALL BE PRECAST REINFORCED CONCRETE, PER ASTM C-478
 - ALL LIFT HOLES SHALL BE SEALED WITH NON SHRINK GROUT.
 - PROVIDE TEMPORARY FILTER FABRIC UNDER ALL OPEN GRATES.



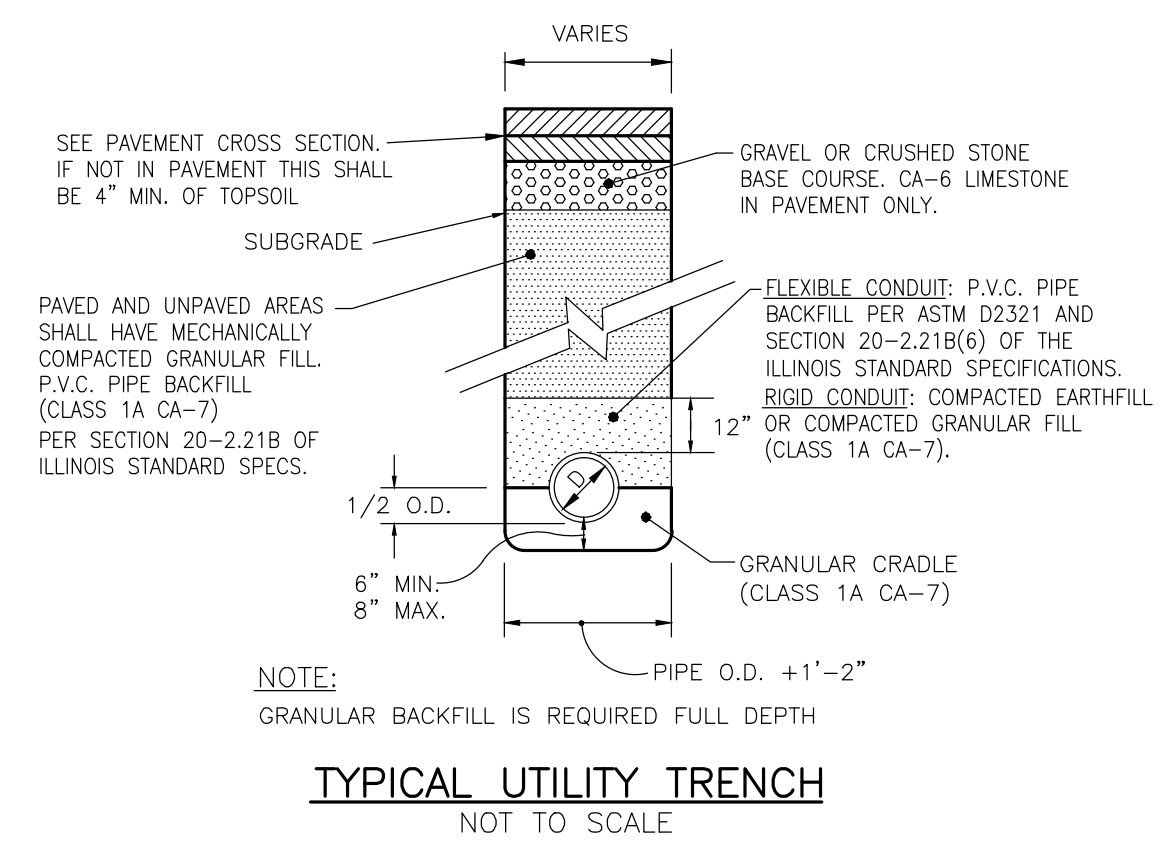
STORM SEWER SEWER NOTES:

STORM SEWER:

- STORM SEWER SHALL BE REINFORCED CONCRETE PIPE CONFORMING TO ASTM C76 CLASS SHOWN ON DRAWINGS, O-RING JOINTS CONFORMING TO ASTM C443.



- NOTES:**
- MANHOLE SHALL BE PRECAST REINFORCED CONCRETE, PER ASTM C-478
 - ALL LIFT HOLES SHALL BE SEALED WITH NON SHRINK GROUT.
 - PROVIDE TEMPORARY FILTER FABRIC UNDER ALL OPEN GRATES.



NOTE:
GRANULAR BACKFILL IS REQUIRED FULL DEPTH

Call Before You Dig

JULIE
ILLINOIS ONE-CALL SYSTEM

CONTACT J.U.I.E. at 811 or 800-892-0123
48 Hours (2 Working Days) BEFORE YOU DIG.
Include the following:
County, City/Township, Section & 1/4 Section No.

| REVISIONS | | | |
|-----------|-----------|---------------------|------|
| No. | DATE | DESCRIPTION | BY |
| 0 | 1-19-2016 | RELEASED FOR REVIEW | R.P. |
| 1 | 2-3-2016 | ISSUED FOR BID | R.P. |

DOCUMENTATION:

PROJECT No.: 20150856.00
DATE: 11-20-2015
FIELD BOOK: JJC
DRAWN BY: R.P.
CHECKED BY: J.H.

RT & A

Ruettiger, Tonelli & Associates, Inc.

Surveyors • Engineers • Planners • Landscape Architects • G.I.S. Consultants

129 CAPISTA DRIVE - SHOREWOOD, ILLINOIS 60404
PH. (815) 744-6600 FAX (815) 744-0101
website: www.ruettigertonnelli.com

PROJECT TITLE:

PARKING LOT S7 IMPROVEMENT PLANS

JOLIET JUNIOR COLLEGE
1215 HOUBOLT DRIVE
JOLIET, ILLINOIS 60431

DRAWING TITLE:

ISSUED FOR BID

CONSTRUCTION DETAILS (2 OF 2)

DRAWING No.
315-0856-C1

SCALE:
AS NOTED

SHEET C6.2